

Joining elements

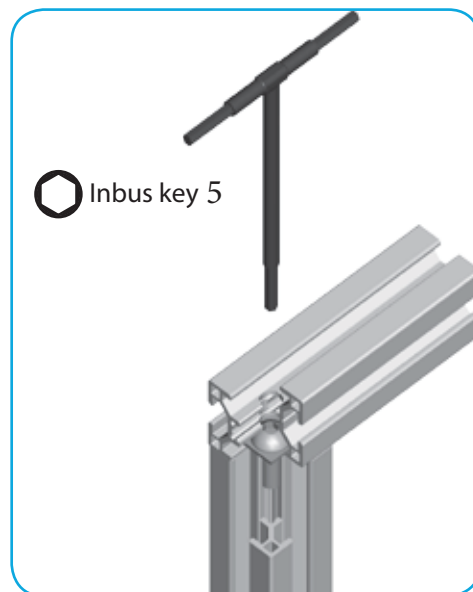
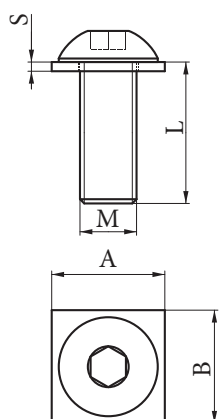
TRANSPORT LINES AND FLEXIBLE CONSTRUCTIONS IN AUTOMATION

Naziv
Description

Spojni set čelni
Frontal connector set

Kit fissaggio frontale
Seitenverbinder set

Descrizione
Beschreibung



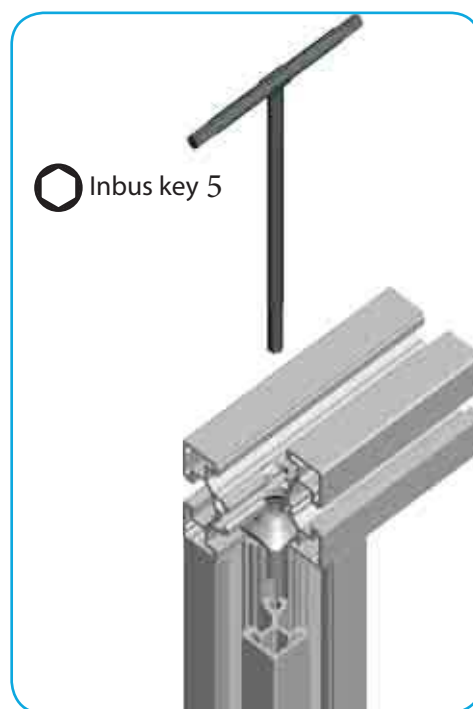
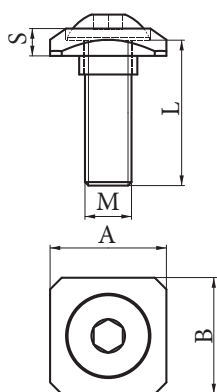
M	A	B	L	S		Code
8	16	16	20	1,5	12g	11097

Naziv
Description

Spojni set čelni
Frontal connector set

Kit fissaggio frontale
Seitenverbinder set

Descrizione
Beschreibung



M	A	B	L	S		Code
8	20	20	25	3,3	20g	11098