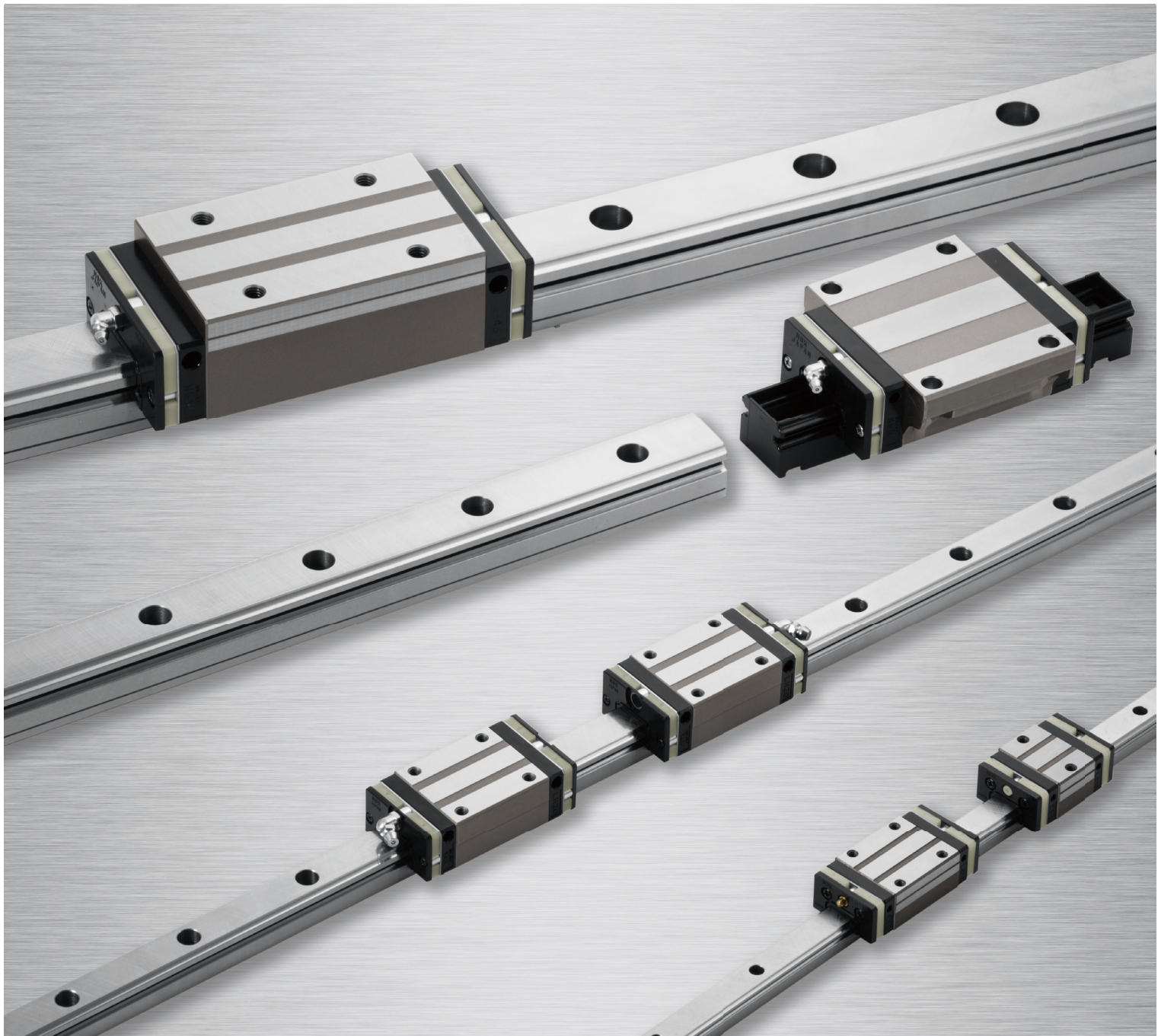


# NSK Linear Guide™ NH Series, NS Series

Based on the LH and LS series characterized by reliability and performance, we have attained a significant increase in durability. Inheriting the random-matching capability and the use of the “NSK K1™” lubrication unit, these series are the new linear guides, easy to use for any kind of machine.



Patent pending



# With NSK's cumulated state-of-the-art technology, the standard linear guides have been reborn as these new series.

Based on the LH and LS series characterized by reliability and performance, we have attained a significant increase in durability. Inheriting the random-matching capability and the use of the "NSK K1™" lubrication unit, they are the new linear guides, easy to use for any kind of machine.

## Features of NH and NS Series

### 1. Excellent durability

#### Super-long life, twice as long as compared with that of conventional series

As compared with the conventional LH and LS Series, a load rating 1.3 times greater and a lifespan two times longer have been accomplished\*1. These features enable you to design a machine with a longer life and downsize the machine. Thus, your design capability is greatly enhanced.

\*1: Based on the representative values of each series.

#### Maintenance-free

Installing NSK K1™ lubrication unit (optional), which has an overwhelming track record in a wide range of application fields, assures a long-term, maintenance-free operation. Not only cost saving in maintenance but also environmental protection can be practiced.

#### What is "NSK K1™" lubrication unit?

NSK K1 is a lubrication device which combines oil and resin in a single unit. The porous resin contains a large amount of lubrication oil. Touching its surface to the raceway of a rail close to the ball contact point NSK K1 constantly supplies fresh oil which seeps from the resin.

### 2. Easy-to-use "Standard Linear Guides"

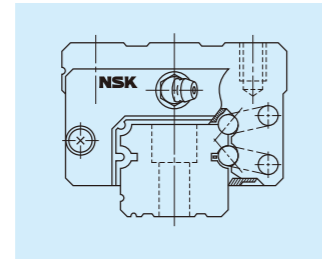
#### The random-matching (interchangeable) type is available

The rails and ball slides can be selected in any combinations. The random-matching is available in all the models. The free combination of different ball slide types, accuracy grades and preload can be made. Also, we can accommodate to short-term delivery as well.

#### Robust design to absorb mounting errors

Same as the DF combination in angular contact bearings, self-aligning capability is high because the cross point of the contact lines of balls and grooves comes inside, and thus reducing moment rigidity (Fig. 1). This increases the capacity to absorb errors in installation, and will demand less work to achieve precision in mounting the linear guide.

Fig. 1



#### Abundant options

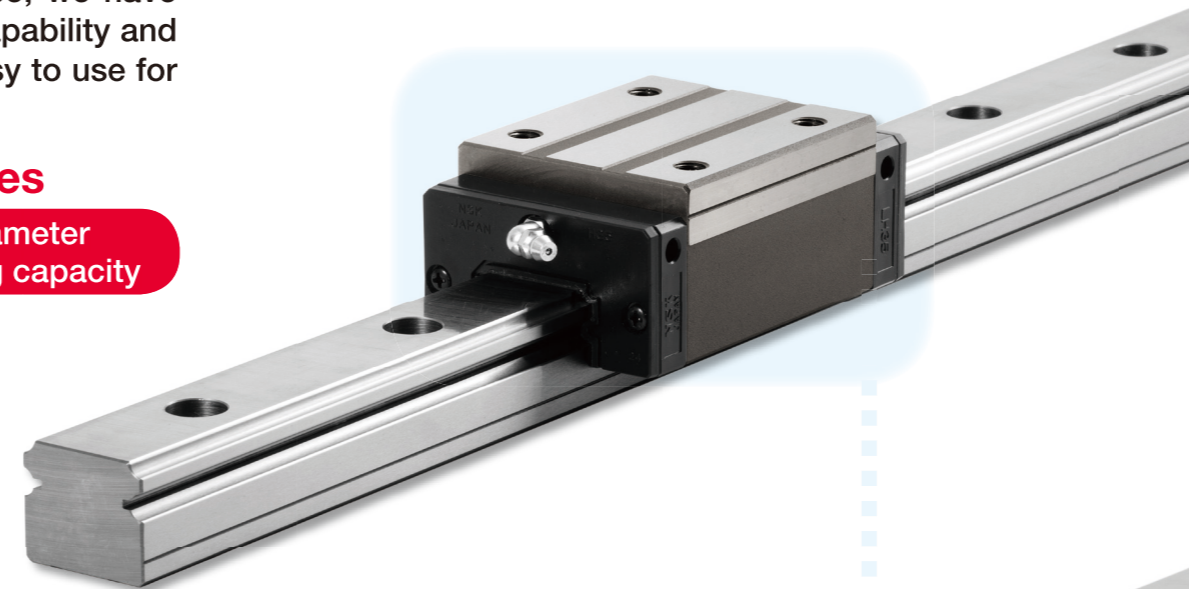
Abundant options are available, including an NSK K1™ lubrication unit, double seal, protector, surface treatment, etc. We offer the configuration best suited to the customer's needs.

#### All mounting dimensions are the same as those for the LH and LS Series

Regarding the mounting dimensions (mounting parts' dimensions), such as the mounting height, mounting width, mounting hole diameter/pitch of the linear guide, etc., the mounting dimensions of the NH Series remain the same as those of the conventional LH series, while the mounting dimensions of the NS Series remain the same as those of the conventional LS Series. So, the new NH/NS Series linear guides can be used without making any design changes.

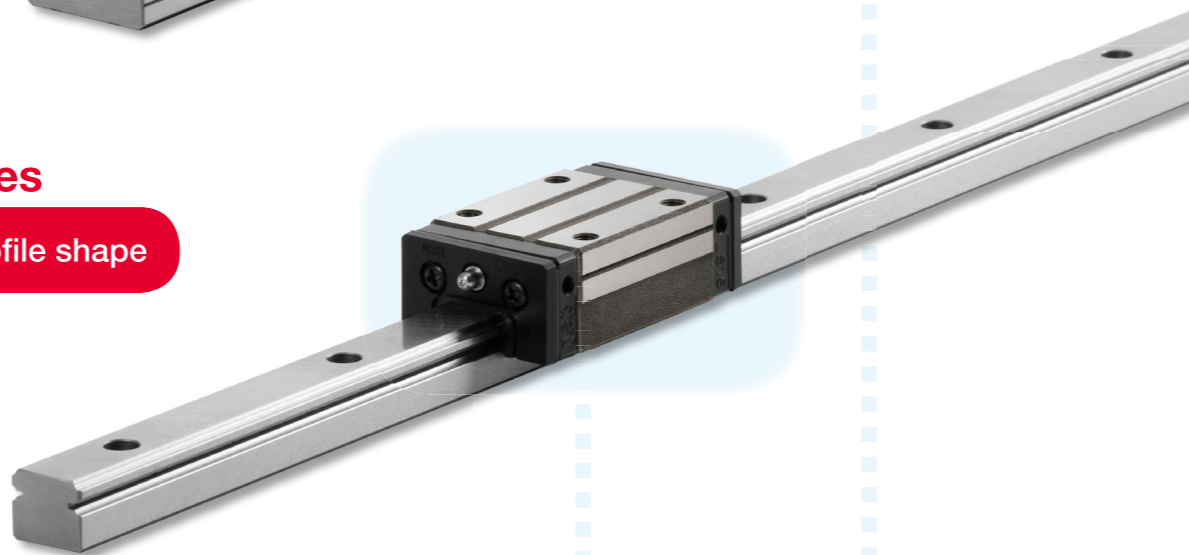
### NH Series

Larger ball diameter  
Larger load rating capacity

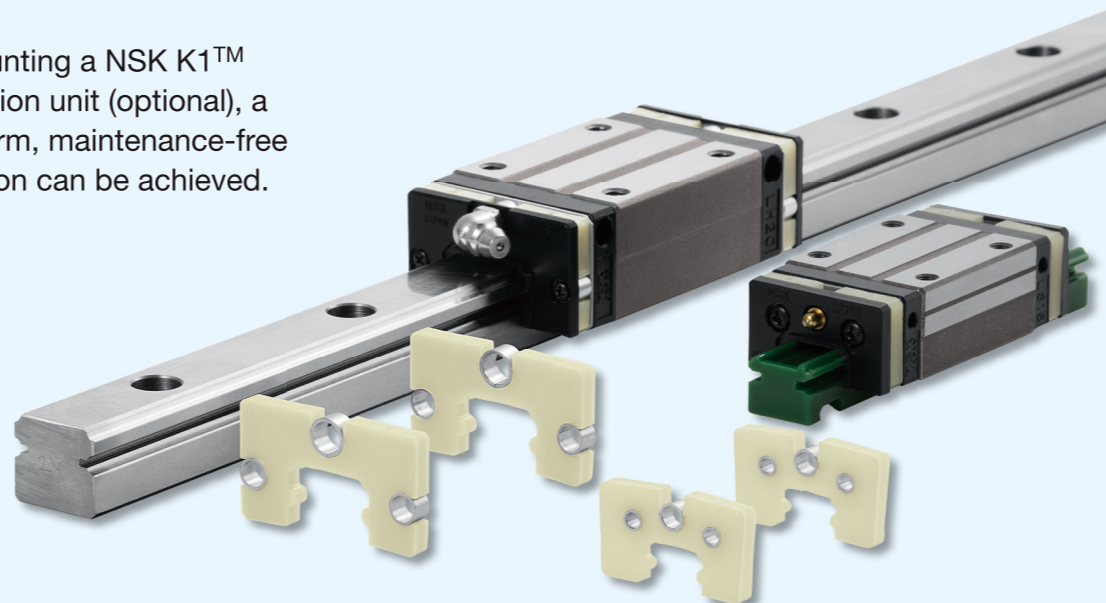


### NS Series

Compact, low-profile shape



By mounting a NSK K1™ lubrication unit (optional), a long-term, maintenance-free operation can be achieved.



### New standard linear guides produced through state-of-the-art technology

Based on the LH/LS Series, which have achieved exceptional results in numerous application areas ever since their debut in 1989, the new NH/NS Series are created as the focal point of NSK's cumulated state-of-the-art design and manufacturing technologies.

LH/LS Series with reliability and performance

+

NSK's state-of-the-art design/manufacturing technologies

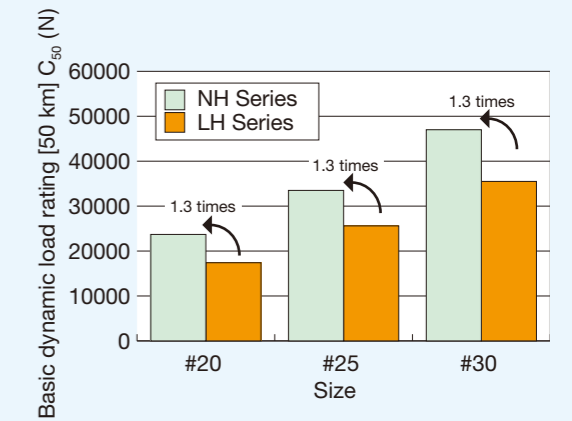
||

New series of standard linear guides: the NH Series and NS Series

### Ball groove geometry contributing to long life

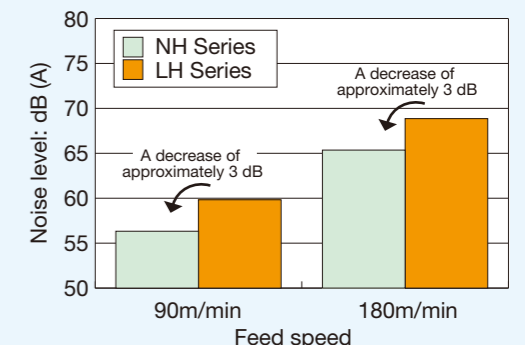
New ball groove geometry is introduced, which has been developed by utilizing NSK's state-of-the-art tribological and analytical technologies. Due to the optimized distribution of contact surface pressures, the rating life has dramatically increased. As compared with the LH/LS Series, the load rating capacity of the new series has increased to 1.3 times, while the life span has increased to twice\*1.

\*1: Representative values of each series.



### Ball circulating groove with excellent high-speed property

By reexamining the design practice for the ball circulation path, we have attained smooth ball circulation and a reduced noise level. So, these new series are suited for high-speed applications compared with the LH/LS Series.



\*Measurement results are obtained from the size #25 linear guide alone. Microphone position: 500 mm above the top of the specimen. The noise level varies depending on the microphone position.

## Specifications

### 1. Ball Slide Shape

- Two types of ball slides are available: One is of the square type with tapped holes, and the other is of the mounting flange type.
- Regarding the square type, a compact, low-profile model is also available.
- On the mounting holes of the flange type, the tapped part is used to fix the ball slide from the top surface, while the minor diameter can be used as a bolt hole for mounting from the bottom. This enables mounting from either direction, top or bottom.
- The ball slide length is available in three lengths: standard high-load, long super-high load or short medium-load. The ball slide length you can use differs, depending on the type. Please refer to the dimension table.

Fig. 2 Ball slide shape

Ball slide shape	Shape/installation method	Type (Upper row: Rating; Lower row: Ball slide length)		
		High-load type Standard	Super-high-load type Long	Medium-load type Short
AN BN		AN 	BN 	
AL BL CL		AL 	BL 	CL 
EM GM JM		EM 	GM 	JM 

### 2. Maximum Rail Length

- Table 1 shows the limitations of rail length (maximum length).
- Depending on the required accuracy grade, the available maximum rail length might be shorter than the one shown in Table 1.

Table 1 Length limitations of rails

Series	Material	Size	Unit: mm							
			15	20	25	30	35	45	55	65
NH	Special high carbon steel		2 980	3 960	3 960	4 000	4 000	3 990	3 960	3 900
	Stainless steel		1 800	3 500	3 500	3 500				
NS	Special high carbon steel		2 920	3 960	3 960	4 000	4 000			
	Stainless steel		1 800	3 500	3 500	3 500	3 500			

Note: Rails can be butted if user requirement exceeds the rail length shown in the table. Please consult NSK.

### 3. Accuracy

- The setting of the accuracy grade differs depending on whether the required type is of the preloaded assembly or the random-matching type.
- For the preloaded assembly, different accuracy grades are available: Ultra precision P3, Super precision P4, High precision P5, Precision P6, and Normal PN grades.
- While the random-matching type has High precision PH and Normal PC grade.

Table 2 Tolerance of preloaded assembly

Characteristics	Accuracy grade	Ultra precision P3	Super precision P4	High precision P5	Precision grade P6	Normal grade PN
	Mounting height H Variation of H (All ball slides on a set of rails)		±8 3	±10 5	±20 7	±40 15
Mounting width W <sub>2</sub> or W <sub>3</sub> Variation of W <sub>2</sub> or W <sub>3</sub> (All ball slides on reference rail)		±10 3	±15 7	±25 10	±50 20	±100 30
Running parallelism of surface C to surface A Running parallelism of surface D to surface B	Refer to Fig. 3 and Table 4.					

Unit: μm

Table 3 Tolerance of random-matching type

Characteristics	Accuracy grade	High precision grade PH		Normal grade PC		
	Model No.	NH15,20,25,30,35 NS15,20,25,30,35	NH45,55,65	NH15,20,25,30,35 NS15,20,25,30,35	NH45,55,65	
Mounting height H		±20	±30	±20	±30	
Variation of mounting height H		15	20	15	20	
Mounting width W <sub>2</sub> or W <sub>3</sub>		±30	±35	±30	±35	
Variation of mounting width W <sub>2</sub> or W <sub>3</sub>		20	20	25	30	
Running parallelism of surface C to surface A Running parallelism of surface D to surface B	Refer to Fig. 3 and Table 4.					

Unit: μm

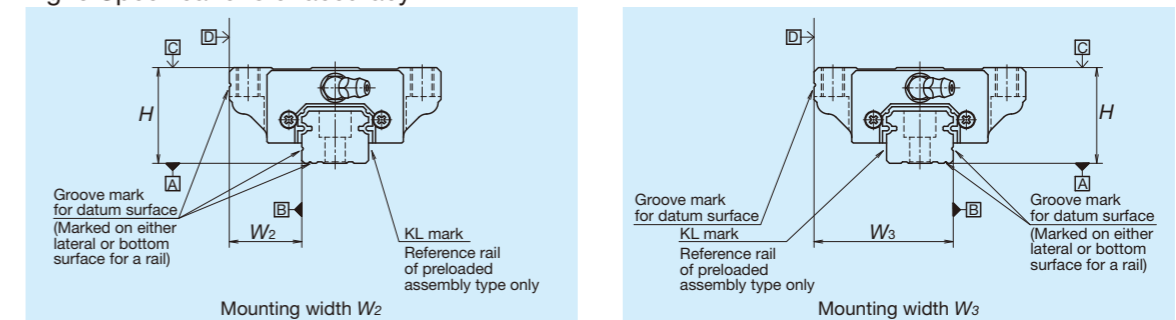
Note: Variation in the random-matching products means the variation among the values taken at the same position on the same rail.

Table 4 Running parallelism of ball slide

Rail length (mm)	Preload assembly					Random-matching type	
	Ultra precision P3	Super precision P4	High precision P5	Precision grade P6	Normal grade PN	High precision PH	Normal grade PC
Over - 50 or less	2	2	2	4	5	2	5
50 - 80	2	2	3	4	5	3	5
80 - 125	2	2	3	4	5	3	5
125 - 200	2	2	3.5	5	6	3.5	6
200 - 250	2	2.5	4.5	6	7.5	4.5	7.5
250 - 315	2	2.5	5	6.5	8.5	5	8.5
315 - 400	2	3	5.5	7	9.5	5.5	9.5
400 - 500	2	3	6	7.5	11	6	11
500 - 630	2	3.5	6.5	8.5	12	6.5	12
630 - 800	2	4	7	9.5	13	7	13
800 - 1 000	2.5	4.5	7.5	10	15	7.5	15
1 000 - 1 250	3	5	8.5	12	16	8.5	16
1 250 - 1 600	3.5	5.5	9.5	13	17	9.5	17
1 600 - 2 000	4	6.5	11	14	19	11	19
2 000 - 2 500	4.5	7.5	12	16	21	12	21
2 500 - 3 150	5.5	8.5	13	18	23	13	23
3 150 - 4 000	6	9.5	14	19	25	14	25

Unit: μm

Fig. 3 Specifications of accuracy





## 6. Dust-proof parts and Lubrication accessories

### (1) Standard specification

- Standard specification can be readily used as they have a dust protection means for normal conditions. As the standard equipment, the ball slides have an end seal on both ends, and bottom seals at the bottom.
- Dust-proof parts are available, as shown in Table 14. Select the best-suited one according to the operation environment.

Table 14 Optional dust-proof parts

Name	Purpose
NSK K1 lubrication unit	Made of oil impregnated resin. Enhances lubricating functions.
Double seal	It combines two end seals for enhancing sealing function.
Protector	Protect the end seal from hot and hard contaminants.
Rail cap	Prevents foreign matters, such as swarf generated in cutting operation from clogging the rail-mounting holes.
Inner seal	Installed inside a slide, and prevents foreign matters from entering the rolling contact surface.
Bellows	Covers the linear guide.

Note: Inner seals can be selected for NH20-65 and NS20-35.

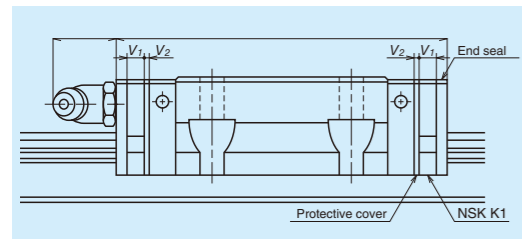
### (2) Mounting position of the lubrication accessories

- The standard position of grease fittings is the end face of ball slide. We mount them on a side of end cap for an option. (Fig. 6).
- Please consult NSK for installation of grease or tube fittings to the ball slide body or side of end cap.

### (3) NSK K1™ Lubrication unit

Table 15 shows the dimensions of the linear guides equipped with the NSK K1 lubrication unit.

Fig. 7



## 7. Rust Prevention

### (1) Stainless steel

Stainless steel material can be selected for the parts made of carbon steel. The models which can be made with stainless steel are NH15-30 and NS15-35. However, the high precision (PH) grade and the medium preload (ZH) type of the random-matching type can not be made from stainless steel.

### (2) Surface treatment

Regarding surface treatment, NSK recommends low temperature chrome plating or fluoride low temperature chrome plating. Please consult NSK for other surface treatment.

Table 16 Material/surface treatment code

Code	Description
C	Special high carbon steel (NSK standard)
K	Stainless steel
D	Special high carbon steel with surface treatment
H	Stainless steel with surface treatment
Z	Other, special

Fig. 5

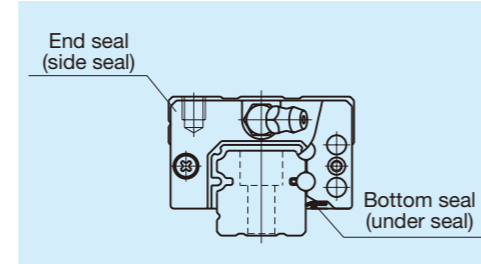


Fig. 6 Mounting position of lubrication accessories

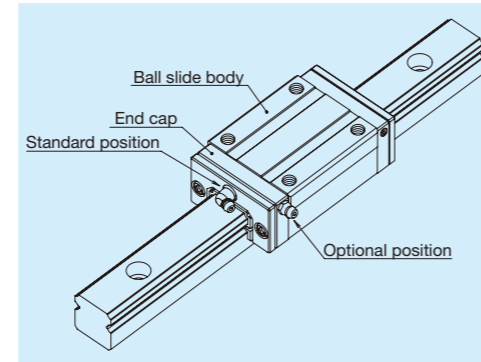


Table 15

Model No.	Standard ball slide length	Ball slide length installed with two NSK K1 L	Per NSK K1 thickness V <sub>1</sub>	Protective cover thickness V <sub>2</sub>	Protruding area of the grease fitting N	
NH15	AN, EM	55	65.6	4.5	0.8	(5)
	BN, GM	74	84.6			
NH20	AN, EM	69.8	80.4	4.5	0.8	(14)
	BN, GM	91.8	102.4			
NH25	AL, AN, EM	79	90.6	5	0.8	(14)
	BL, BN, GM	107	118.6			
NH30	AL, AN	85.6	97.6	5	1	(14)
	EM	98.6	110.6			
NH35	BL, BN, GM	124.6	136.6	5.5	1	(14)
	AL, AN, EM	109	122			
NH45	BL, BN, GM	143	156	6.5	1	(15)
	AL, AN, EM	139	154			
NH55	BL, BN, GM	171	186	6.5	1	(15)
	AL, AN, EM	163	178			
NH65	BL, BN, GM	201	216	8	1	(16)
	AN, EM	193	211			
NS15	AN, EM	193	211	8	1	(16)
	BN, GM	253	271			
NS20	AL, EM	56.8	66.4	4	0.8	(5)
	CL, JM	40.4	50			
NS25	AL, EM	65.2	75.8	4.5	0.8	(14)
	CL, JM	47.2	57.8			
NS30	AL, EM	81.6	92.2	4.5	0.8	(14)
	CL, JM	59.6	70.2			
NS35	AL, EM	96.4	108.4	5	1	(14)
	CL, JM	67.4	79.4			
NS35	AL, EM	108	121	5.5	1	(14)
	CL, JM	77	90			

Notes:

- NSK K1 for food and medical equipments are available for NH15-35 and NS15-35.
- Ball slide length equipped with NSK K1 = (Standard ball slide length) + (Thickness of NSK K1, V<sub>1</sub> × Number of NSK K1) + (Thickness of the protective cover, V<sub>2</sub> × 2)

## 8. Installation

### (1) Permissible values of mounting error

Mounting errors may result in harmful effects, such as shortened operating life, deteriorated motion accuracy and/or friction variation. Using those mounting errors shown in Figures 8 and 9 as representative errors, Tables 17 and 18 show the mounting tolerances.

Fig. 8

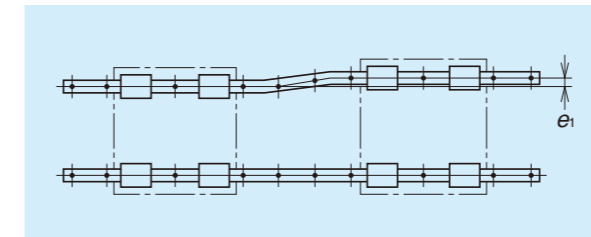


Fig. 9

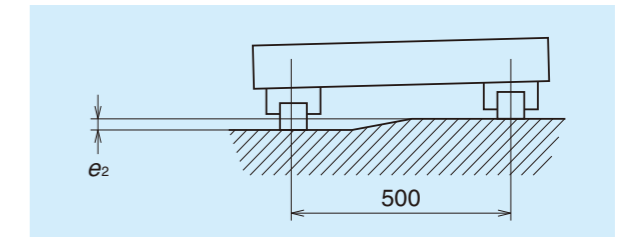


Table 17

Value	Preload	Model No.								
		NH15	NH20	NH25	NH30	NH35	NH45	NH55	NH65	
Permissible values of parallelism in two rails e <sub>1</sub>	Z0, ZT	22	30	40	45	55	65	80	110	
	Z1, ZZ	18	20	25	30	35	45	55	70	
	Z3, ZH	13	15	20	25	30	40	45	60	
Permissible values of parallelism (height) in two rails e <sub>2</sub>	Z0, ZT	375μm/500mm								
	Z1, ZZ, Z3, ZH	330μm/500mm								

Table 18

Value	Preload	Model No.				
		NS15	NS20	NS25	NS30	NS35
Permissible values of parallelism in two rails e <sub>1</sub>	Z0, ZT	20	22	30	35	40
	Z1, ZZ	15	17	20	25	30
	Z3, ZH	12	15	15	20	25
Permissible values of parallelism (height) in two rails e <sub>2</sub>	Z0, ZT	375μm/500mm				
	Z1, ZZ, Z3, ZH	330μm/500mm				

### (2) Shoulder height and corner radius of the mounting surface

When horizontally fixing a rail or ball slide by pushing it to the shoulder (the riser portion of the mounting surface) of the bed or table, refer to the shoulder height and corner radius specified in Fig. 10 and 11 and Table 18 as well.

Shoulder height of the mounting surface and corner radius r

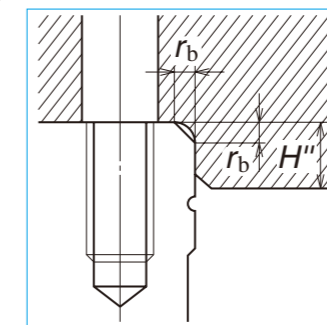
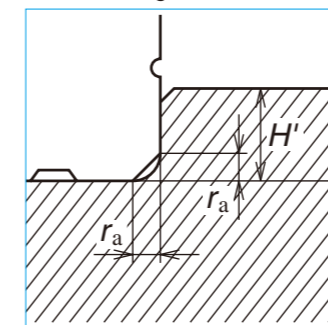


Fig. 10 Shoulder for the rail datum surface

Fig. 11 Shoulder for the ball slide datum surface

Table 19

Model No.	Corner radius (maximum)		Shoulder height	
	r <sub>a</sub>	r <sub>b</sub>	H'	H''
NH15	0.5	0.5	4	4
NH20	0.5	0.5	4.5	5
NH25	0.5	0.5	5	5
NH30	0.5	0.5	6	6
NH35	0.5	0.5	6	6
NH45	0.7	0.7	8	8
NH55	0.7	0.7	10	10
NH65	1	1	11	11
NS15	0.5	0.5	4	4
NS20	0.5	0.5	4.5	5
NS25	0.5	0.5	5	5
NS30	0.5	0.5	6	6
NS35	0.5	0.5	6	6

## 9. Maximum allowable speed

An indication of the standard maximum allowable speed aiming at 10,000km operation with linear guide under normal conditions is shown in Table 19. However, the maximum allowable speed can be affected by accuracy of installation, operating temperature, external load, etc.

If the operation is made exceeding the permissible distance and speed, please contact NSK.

Table 20 Maximum allowable speed

Series	Size								
	15	20	25	30	35	45	55	65	
NH	300			200			150		
NS	300								

## 10. Handling Precautions

- Beating a slide or hitting it against an object may cause damage.
- Operating temperature should be less than 80°C. If exceeding this temperature, the plastic parts might be damaged.
- If using NSK K1, maximum temperature in use : 50°C (momentary maximum temperature in use: 80°C). Do not leave NSK K1 lubrication unit in organic solvent, white kerosene such as hexane, thinner which removes oil, and rust prevention oil which contains white kerosene.
  - Slides of random-matching type are assembled on a provisional rail (an inserting tool) when it is delivered.
  - When a slide is installed to the rail, make certain to use a provisional rail.
  - Do not remove slides from the provisional rail, except installation to the rail.
- Regarding the handling of random-matching products.

## 11. Dimensions

NH-AN (High-load type/standard, square type)

NH-BN (Super-high-load type/long, square type)

### (1) Reference number for assembly

<b>NH 30 1200 ANC 2 -** P5 3</b>	
Series name	Preload code (refer to Table 9 on page 5) 0 : Z0, 1 : Z1, 3 : Z3, T : ZT, Z : ZZ, H : ZH
Size	Accuracy code (refer to Table 9 on page 5)
Rail length (mm)	Design serial number Added to the reference number
Ball slide shape code (refer to Fig. 2 on page 3)	Number of ball slides per rail
Material/surface treatment code (refer to Table 16 on page 7) C: Special high carbon steel (NSK standard); K: Stainless steel	

### (2) Reference number for random-matching type

<b>NAH 30 ANSZ -K</b>	
Ball slide	Option code
Random-matching ball slide series code NAH: NH Series random-matching ball slide	-K: Equipped with NSK K1 -F: Fluoride low temperature chrome plating + AS2 grease -F50: Fluoride low temperature chrome plating + LG2 grease
Size	Preload code No code: Fine clearance, Z: Slight preload, H: Medium preload
Ball slide shape code (refer to Fig. 2 on page 3)	Material code No code: Special high carbon steel (NSK standard), S: Stainless steel

<b>N1H 30 1200 LCN -** PC Z</b>	
Rail	Preload code
Random-matching rail series code N1H: NH Series random-matching rail	T: Fine clearance, Z: Slight preload (common rail for slight or medium preload) (refer to Table 9 on page 5)
Size	Accuracy code PH: High precision grade random-matching type PC: Normal grade random-matching type
Rail length (mm)	Design serial number Added to the reference number
Rail shape code: L	Butting rail specification* N: Non-butting; L: Butting specification
Material/surface treatment code (refer to Table 16 on page 7)	*Please consult with NSK for butting rail specification.

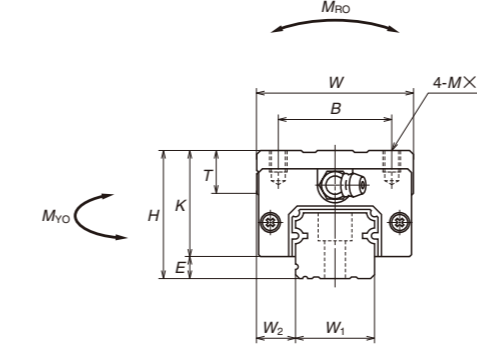
Click!Speedy™ NSK Linear Guide Quick Delivery System uses a new numbering system. For details, please refer to the Click!Speedy general catalog CAT. No. E3191.

Model No.	Assembly			Ball slide								Width		Height		
	Height	E	W <sub>2</sub>	Mounting hole				Grease fitting		W <sub>1</sub>	H <sub>1</sub>					
				W	L	B	J	M×Pitch×ℓ	L <sub>1</sub>			K	T		Hole size	T <sub>1</sub>
NH15AN NH15BN	28	4.6	9.5	34	55 74	26	26	M4×0.7×6	39 58	23.4	8	φ3	8.5	3.3	15	15
NH20AN NH20BN	30	5	12	44	69.8 91.8	32	36 50	M5×0.8×6	50 72	25	12	M6×0.75	5	11	20	18
NH25AN NH25BN	40	7	12.5	48	79 107	35	35 50	M6×1×9	58 86	33	12	M6×0.75	10	11	23	22
NH30AN NH30BN	45	9	16	60	85.6 124.6	40	40 60	M8×1.25×10	59 98	36	14	M6×0.75	10	11	28	26
NH35AN NH35BN	55	9.5	18	70	109 143	50	50 72	M8×1.25×12	80 114	45.5	15	M6×0.75	15	11	34	29
NH45AN NH45BN	70	14	20.5	86	139 171	60	60 80	M10×1.5×17	105 137	56	17	Rc1/8	20	13	45	38
NH55AN NH55BN	80	15	23.5	100	163 201	75	75 95	M12×1.75×18	126 164	65	18	Rc1/8	21	13	53	44
NH65AN NH65BN	90	16	31.5	126	193 253	76	70 120	M16×2×20	147 207	74	23	Rc1/8	19	13	63	53

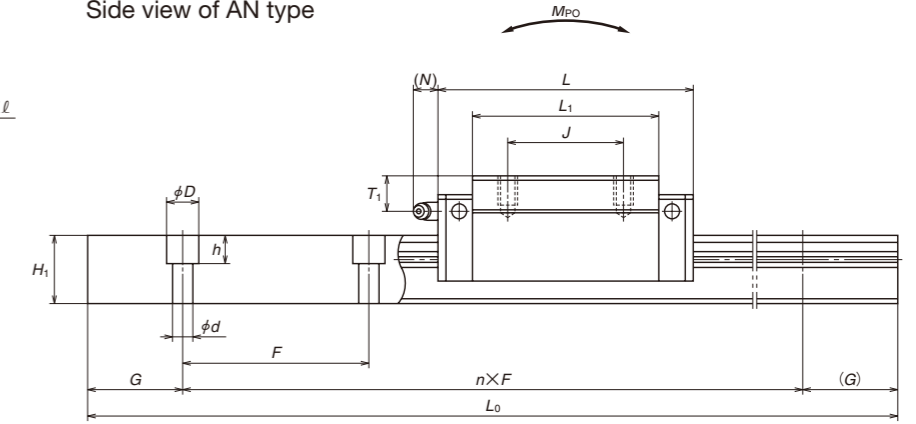
Notes: 1) External appearance of stainless steel ball slides differs from those of carbon steel ball slides.

Assembly (Preloaded assembly, random-matching type)

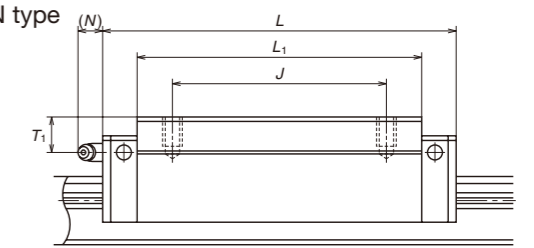
Front view of AN and BN types



Side view of AN type

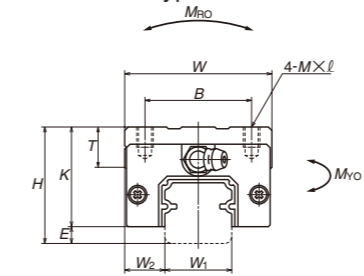


Side view of BN type

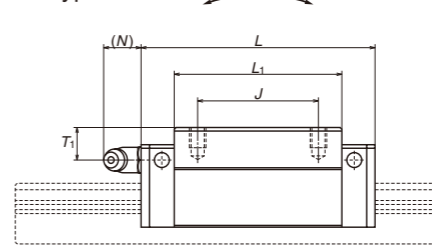


Ball slide of random-matching type

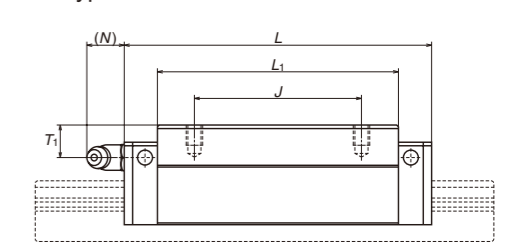
AN and BN types



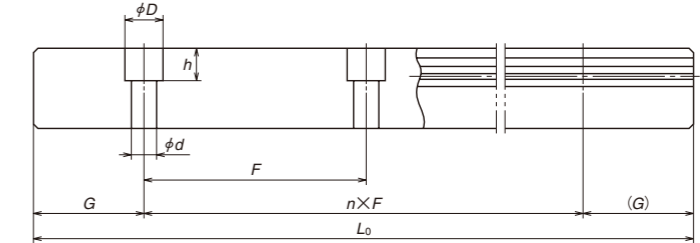
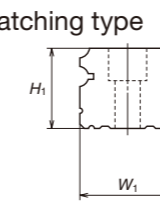
AN type



BN type



Rail of random-matching type



Unit: mm

Pitch	Rail		Basic load rating								Weight		
	Mounting bolt hole d×D×h	G	Max. length L <sub>0max</sub> (reference) ( ) for stainless	2) Dynamic		Static C <sub>0</sub> (N)	M <sub>RO</sub>	Static moment (N·m)				Ball slide (kg)	Rail (kg/m)
				[50km] C <sub>50</sub> (N)	[100km] C <sub>100</sub> (N)			(One slide)	(Two slides)	(One slide)	(Two slides)		
60	4.5×7.5×5.3	20	2 980 (1 800)	14 200 18 100	11 300 14 400	20 700 32 000	108 166	94.5 216	575 1 150	79.5 181	480 965	0.18 0.26	1.6
60	6×9.5×8.5	20	3 960 (3 500)	23 700 30 000	18 800 24 000	32 500 50 500	219 340	185 420	1 140 2 230	155 355	955 1 870	0.33 0.48	2.6
60	7×11×9	20	3 960 (3 500)	33 500 45 500	26 800 36 500	46 000 71 000	360 555	320 725	1 840 3 700	267 610	1 540 3 100	0.55 0.82	3.6
80	9×14×12	20	4 000 (3 500)	41 000 61 000	32 500 48 500	51 500 91 500	490 870	350 1 030	2 290 5 600	292 865	1 920 4 700	0.77 1.3	5.2
80	9×14×12	20	4 000	62 500 81 000	49 500 64 500	80 500 117 000	950 1 380	755 1 530	4 500 8 350	630 1 280	3 800 7 000	1.5 2.1	7.2
105	14×20×17	22.5	3 990	107 000 131 000	84 500 104 000	140 000 187 000	2 140 2 860	1 740 3 000	9 750 15 600	1 460 2 520	8 150 13 100	3.0 3.9	12.3
120	16×23×20	30	3 960	158 000 193 000	125 000 153 000	198 000 264 000	3 600 4 850	3 000 5 150	16 300 26 300	2 510 4 350	13 700 22 100	4.7 6.1	16.9
150	18×26×22	35	3 900	239 000 310 000	190 000 246 000	281 000 410 000	6 150 8 950	4 950 10 100	27 900 51 500	4 150 8 450	23 400 43 500	7.7 10.8	24.3

2) The basic load rating comply with the ISO standard. (ISO14728-1 and ISO14728-2)

C<sub>50</sub>: the basic dynamic load rating for 50 km rating fatigue life, C<sub>100</sub>: the basic dynamic load rating for 100 km rating fatigue life

NH-AL (High-load type/standard, square low-profile type)  
 NH-BL (Super-high-load type/long, square low-profile type)

(1) Reference number for assembly

<b>NH 30 1200 AL C 2 -** P5 3</b>	
Series name	Preload code (refer to Table 9 on page 5) 0 : Z0, 1 : Z1, 3 : Z3, T : ZT, Z : ZZ, H : ZH
Size	Accuracy code (refer to Table 9 on page 5)
Rail length (mm)	Design serial number Added to the reference number
Ball slide shape code (refer to Fig. 2 on page 3)	Number of ball slides per rail
Material/surface treatment code (refer to Table 16 on page 7) C: Special high carbon steel (NSK standard); K: Stainless steel	

(2) Reference number for random-matching type

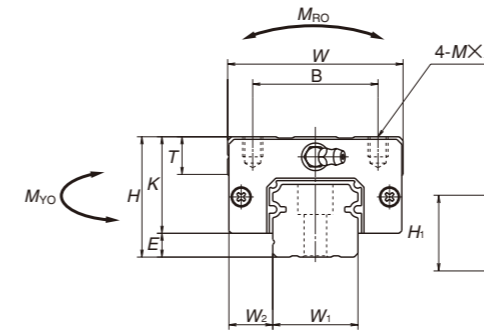
<b>NAH 30 AL SZ -K</b>	
Random-matching ball slide series code NAH: NH Series random-matching ball slide	Option code -K: Equipped with NSK K1 -F: Fluoride low temperature chrome plating + AS2 grease -F50: Fluoride low temperature chrome plating+ LG2 grease
Size	Preload code No code: Fine clearance, Z: Slight preload, H: Medium preload
Ball slide shape code (refer to Fig. 2 on page 3)	Material code No code: Special high carbon steel (NSK standard), S: Stainless steel

<b>N1H 30 1200 LCN -** PC Z</b>	
Random-matching rail series code N1H: NH Series random-matching rail	Preload code T: Fine clearance, Z: Slight preload (common rail for slight or medium preload) (refer to Table 9 on page 5)
Size	Accuracy code PH: High precision grade random-matching type PC: Normal grade random-matching type
Rail length (mm)	Design serial number Added to the reference number
Rail shape code: L L: Standard	Butting rail specification* N: Non-butting; L: Butting specification
Material/surface treatment code (refer to Table 16 on page 7)	*Please consult with NSK for butting rail specification.

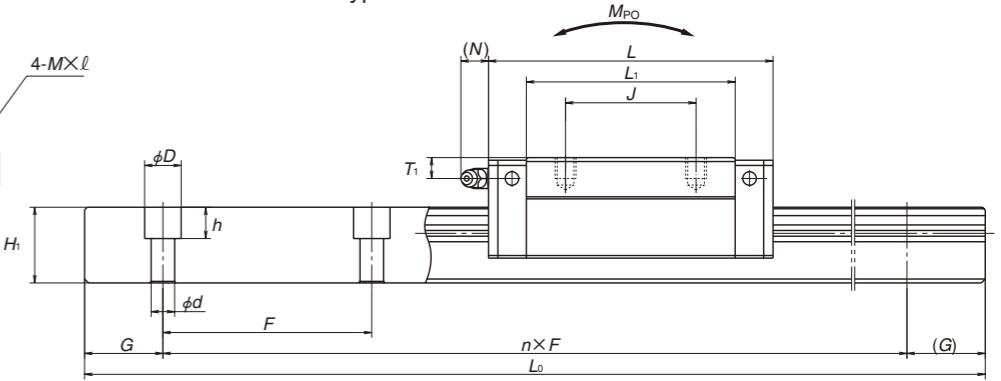
Click!Speedy™ NSK Linear Guide Quick Delivery System uses a new numbering system.  
 For details, please refer to the Click!Speedy general catalog CAT. No. E3191.

Assembly (Preloaded assembly, random-matching type)

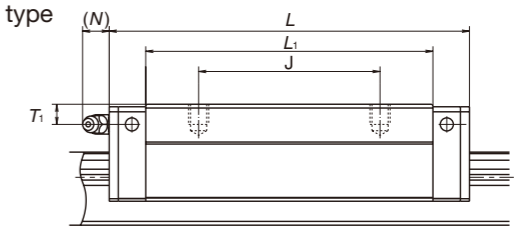
Front view of AL and BL types



Side view of AL type

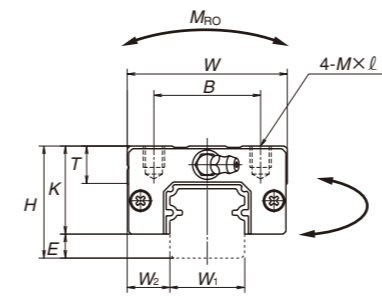


Side view of BL type

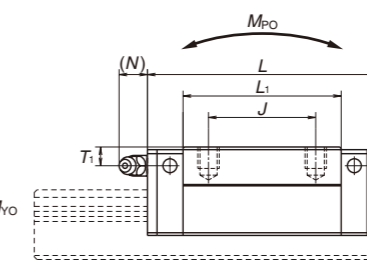


Ball slide of random-matching type

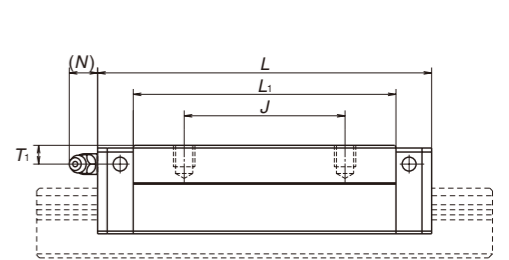
AL and BL types



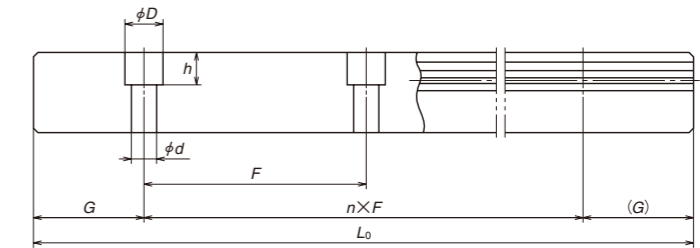
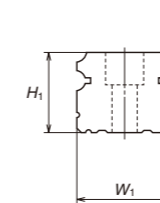
AL type



BL type



Rail of random-matching type



Model No.	Assembly			Ball slide								Grease fitting			Width W <sub>1</sub>	Height H <sub>1</sub>
	Height H	E	W <sub>2</sub>	Width W	Length L	Mounting hole			L <sub>1</sub>	K	T	Hole size	T <sub>1</sub>	N		
						B	J	M×Pitch×ℓ								
NH25AL NH25BL	36	7	12.5	48	79 107	35	35 50	M6×1×6	58 86	29	12	M6×0.75	6	11	23	22
NH30AL NH30BL	42	9	16	60	85.6 124.6	40	40 60	M8×1.25×8	59 98	33	14	M6×0.75	7	11	28	26
NH35AL NH35BL	48	9.5	18	70	109 143	50	50 72	M8×1.25×8	80 114	38.5	15	M6×0.75	8	11	34	29
NH45AL NH45BL	60	14	20.5	86	139 171	60	60 80	M10×1.5×10	105 137	46	17	Rc1/8	10	13	45	38
NH55AL NH55BL	70	15	23.5	100	163 201	75	75 95	M12×1.75×13	126 164	55	15	Rc1/8	11	13	53	44

Notes: 1) External appearance of stainless steel ball slides differs from those of carbon steel ball slides.

Pitch F	Rail		G (reference)	Max. length L <sub>0max</sub> (for stainless)	Basic load rating						Weight			
	Mounting bolt hole d×D×h	C <sub>50</sub> (N)			2) Dynamic		Static C <sub>0</sub> (N)	Static moment (N·m)				Ball slide (kg)	Rail (kg/m)	
					[50km]	[100km]		M <sub>RO</sub>	M <sub>PO</sub>		M <sub>YO</sub>			
									(One slide)	(Two slides)	(One slide)			(Two slides)
60	7×11×9	20	3 960 (3 500)	33 500 45 500	26 800 36 500	46 000 71 000	360 555	320 725	1 840 3 700	267 610	1 540 3 100	0.46 0.69	3.6	
80	9×14×12	20	4 000 (3 500)	41 000 61 000	32 500 48 500	51 500 91 500	490 870	350 1 030	2 290 5 600	292 865	1 920 4 700	0.69 1.16	5.2	
80	9×14×12	20	4 000	62 500 81 000	49 500 64 500	80 500 117 000	950 1 380	755 1 530	4 500 8 350	630 1 280	3 800 7 000	1.2 1.7	7.2	
105	14×20×17	22.5	3 990	107 000 131 000	84 500 104 000	140 000 187 000	2 140 2 860	1 740 3 000	9 750 15 600	1 460 2 520	8 150 13 100	2.2 2.9	12.3	
120	16×23×20	30	3 960	158 000 193 000	125 000 153 000	198 000 264 000	3 600 4 850	3 000 5 150	16 300 26 300	2 510 4 350	13 700 22 100	3.7 4.7	16.9	

2) The basic load rating comply with the ISO standard. (ISO14728-1 and ISO14728-2)  
 C<sub>50</sub>: the basic dynamic load rating for 50 km rating fatigue life, C<sub>100</sub>: the basic dynamic load rating for 100 km rating fatigue life

Unit: mm

NH-EM (High-load type/standard, flange type)  
 NH-GM (Super-high-load type/long, flange type)

(1) Reference number for assembly

<b>NH 30 1200 EMC 2 -** P5 3</b>	
Series name	Preload code (refer to Table 9 on page 5) 0 : Z0, 1 : Z1, 3 : Z3, T : ZT, Z : ZZ, H : ZH
Size	Accuracy code (refer to Table 9 on page 5)
Rail length (mm)	Design serial number Added to the reference number
Ball slide shape code (refer to Fig. 2 on page 3)	Number of ball slides per rail
Material/surface treatment code (refer to Table 16 on page 7) C: Special high carbon steel (NSK standard); K: Stainless steel	

(2) Reference number for random-matching type

<b>NAH 30 EMS Z -K</b>	
Random-matching ball slide series code NAH: NH Series random-matching ball slide	Option code -K: Equipped with NSK K1 -F: Fluoride low temperature chrome plating + AS2 grease -F50: Fluoride low temperature chrome plating + LG2 grease
Size	Preload code No code: Fine clearance, Z: Slight preload, H: Medium preload
Ball slide shape code (refer to Fig. 2 on page 3)	Material code No code: Special high carbon steel (NSK standard), S: Stainless steel

<b>N1H 30 1200 LCN -** PC Z</b>	
Random-matching rail series code N1H: NH Series random-matching rail	Preload code T: Fine clearance, Z: Slight preload (common rail for slight or medium preload) (refer to Table 9 on page 5)
Size	Accuracy code PH: High precision grade random-matching type PC: Normal grade random-matching type
Rail length (mm)	Design serial number Added to the reference number
Rail shape code: L L: Standard	Butting rail specification* N: Non-butting; L: Butting specification
Material/surface treatment code (refer to Table 16 on page 7)	*Please consult with NSK for butting rail specification.

Click!Speedy™ NSK Linear Guide Quick Delivery System uses a new numbering system.  
 For details, please refer to the Click!Speedy general catalog CAT. No. E3191.

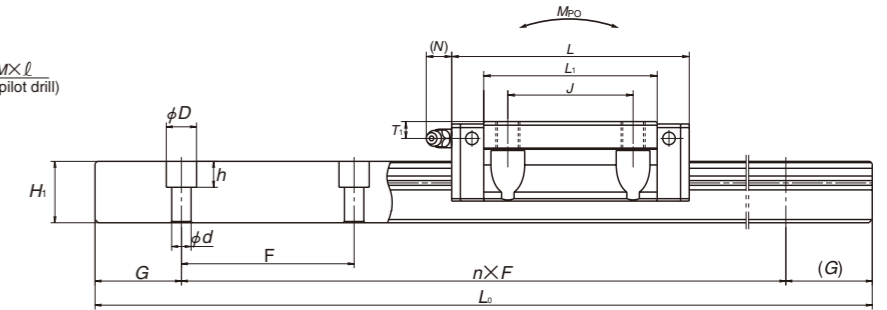
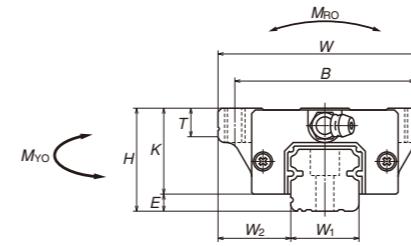
Model No.	Assembly			Ball slide										Width	Height		
	Height	Width	Length	Mounting hole					Grease fitting			Width	Height				
				B	J	M×Pitch×ℓ	Q <sub>2</sub>	L <sub>1</sub>	K	T	Hole size					T <sub>1</sub>	N
NH15EM NH15GM	24	4.6	16	47	55 74	38	30	M5×0.8×7	4.4	39 58	19.4	8	φ3	4.5	3.3	15	15
NH20EM NH20GM	30	5	21.5	63	69.8 91.8	53	40	M6×1×9.5	5.3	50 72	25	10	M6×0.75	5	11	20	18
NH25EM NH25GM	36	7	23.5	70	79 107	57	45	M8×1.25×10 (M8×1.25×11.5)	6.8	58 86	29	11 (12)	M6×0.75	6	11	23	22
NH30EM NH30GM	42	9	31	90	98.6 124.6	72	52	M10×1.5×12 (M10×1.5×14.5)	8.6	72 98	33	11 (15)	M6×0.75	7	11	28	26
NH35EM NH35GM	48	9.5	33	100	109 143	82	62	M10×1.5×13	8.6	80 114	38.5	12	M6×0.75	8	11	34	29
NH45EM NH45GM	60	14	37.5	120	139 171	100	80	M12×1.75×15	10.5	105 137	46	13	Rc1/8	10	13	45	38
NH55EM NH55GM	70	15	43.5	140	163 201	116	95	M14×2×18	12.5	126 164	55	15	Rc1/8	11	13	53	44
NH65EM NH65GM	90	16	53.5	170	193 253	142	110	M16×2×24	14.6	147 207	74	23	Rc1/8	19	13	63	53

Notes: 1) Parenthesized dimensions are for items made of stainless steel.  
 2) External appearance of stainless steel ball slides differs from those of carbon steel ball slides.

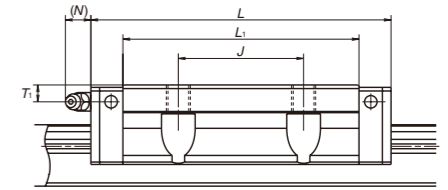
Assembly (Preloaded assembly, random-matching type)

Front view of EM and GM types

Side view of EM type



Side view of GM type

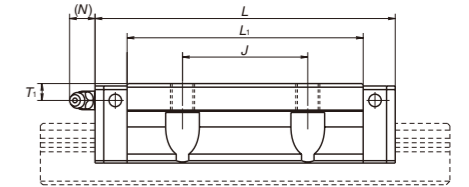
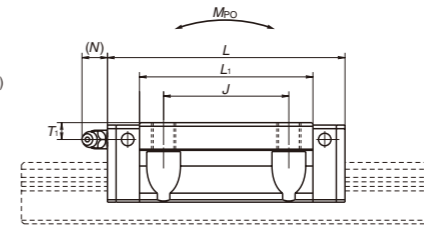
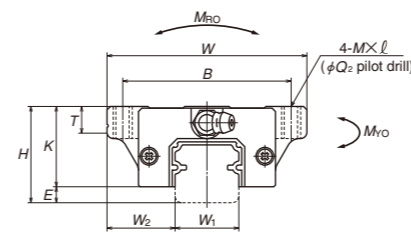


Ball slide of random-matching type

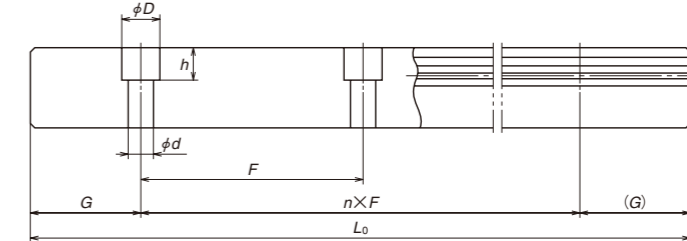
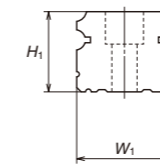
EM and GM types

EM type

GM type



Rail of random-matching type



Unit: mm

Pitch	Rail		Basic load rating								Weight		
	Mounting bolt hole d×D×h	G	Max. length L <sub>0max</sub> (reference) ( ) for stainless	Dynamic		Static	M <sub>RO</sub>	Static moment (N·m)				Ball slide (kg)	Rail (kg/m)
				[50km] C <sub>50</sub> (N)	[100km] C <sub>100</sub> (N)			C <sub>0</sub> (N)	M <sub>PO</sub> (One slide)	M <sub>PO</sub> (Two slides)	M <sub>YO</sub> (One slide)		
60	4.5×7.5×5.3	20	2 980 (1 800)	14 200 18 100	11 300 14 400	20 700 32 000	108 166	94.5 216	575 1 150	79.5 181	480 965	0.17 0.25	1.6
60	6×9.5×8.5	20	3 960 (3 500)	23 700 30 000	18 800 24 000	32 500 50 500	219 340	185 420	1 140 2 230	155 355	955 1 870	0.45 0.65	2.6
60	7×11×9	20	3 960 (3 500)	33 500 45 500	26 800 36 500	46 000 71 000	360 555	320 725	1 840 3 700	267 610	1 540 3 100	0.63 0.93	3.6
80	9×14×12	20	4 000 (3 500)	47 000 61 000	37 500 48 500	63 000 91 500	600 870	505 1 030	3 150 5 600	425 865	2 650 4 700	1.2 1.6	5.2
80	9×14×12	20	4 000	62 500 81 000	49 500 64 500	80 500 117 000	950 1 380	755 1 530	4 500 8 350	630 1 280	3 800 7 000	1.7 2.4	7.2
105	14×20×17	22.5	3 990	107 000 131 000	84 500 104 000	140 000 187 000	2 140 2 860	1 740 3 000	9 750 15 600	1 460 2 520	8 150 13 100	3 3.9	12.3
120	16×23×20	30	3 960	158 000 193 000	125 000 153 000	198 000 264 000	3 600 4 850	3 000 5 150	16 300 26 300	2 510 4 350	13 700 22 100	5 6.5	16.9
150	18×26×22	35	3 900	239 000 310 000	190 000 246 000	281 000 410 000	6 150 8 950	4 950 10 100	27 900 51 500	4 150 8 450	23 400 43 500	10 14.1	24.3

3) The basic load rating comply with the ISO standard. (ISO14728-1 and ISO14728-2)  
 C<sub>50</sub>: the basic dynamic load rating for 50 km rating fatigue life, C<sub>100</sub>: the basic dynamic load rating for 100 km rating fatigue life



NS-CL (Medium-load type/short, square low-profile type)

NS-AL (High-load type/standard, square low-profile type)

**(1) Reference number for assembly**

**NS 30 1200 AL C 2 -\*\* P5 3**

Series name	Preload code (refer to Table 9 on page 5) 0 : Z0, 1 : Z1, 3 : Z3, T : ZT, Z : ZZ, H : ZH
Size	Accuracy code (refer to Table 9 on page 5)
Rail length (mm)	Design serial number Added to the reference number
Ball slide shape code (refer to Fig. 2 on page 3)	Number of ball slides per rail
Material/surface treatment code (refer to Table 16 on page 7) C: Special high carbon steel (NSK standard); K: Stainless steel	

**(2) Reference number for random-matching type**

**Ball slide** **NAS 30 AL SZ -K**

Random-matching ball slide series code NAS: NS Series random-matching ball slide	Option code -K: Equipped with NSK K1 -F: Fluoride low temperature chrome plating + AS2 grease -F50: Fluoride low temperature chrome plating + LG2 grease
Size	Preload code No code: Fine clearance, Z: Slight preload, H: Medium preload
Ball slide shape code (refer to Fig. 2 on page 3)	Material code No code: Special high carbon steel (NSK standard), S: Stainless steel

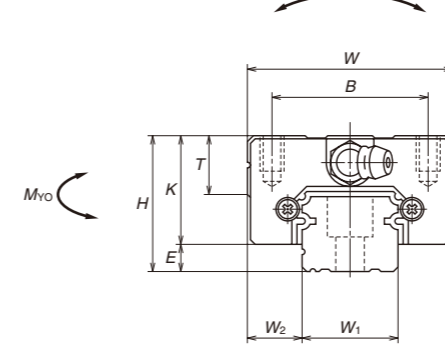
**Rail** **N1S 30 1200 LCN -\*\* PC Z**

Random-matching rail series code N1S: NS Series random-matching rail	Preload code T: Fine clearance, Z: Slight preload (common rail for slight or medium preload) (refer to Table 9 on page 5)
Size	Accuracy code PH: High precision grade random-matching type PC: Normal grade random-matching type
Rail length (mm)	Design serial number Added to the reference number
Rail shape code: L L: Standard, T: The rail mounting bolt hole M4 for NS15	Butting rail specification* N: Non-butting; L: Butting specification
Material/surface treatment code (refer to Table 16 on page 7)	*Please consult with NSK for butting rail specification.

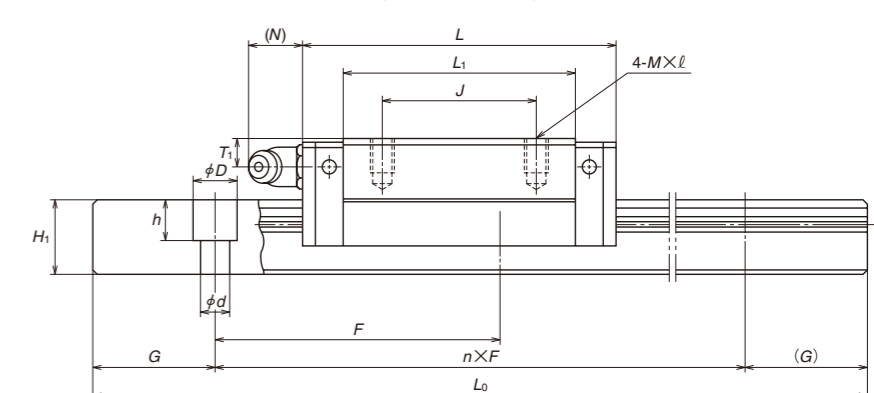
Click!Speedy™ NSK Linear Guide Quick Delivery System uses a new numbering system. For details, please refer to the Click!Speedy general catalog CAT. No. E3191.

Assembly (Preloaded assembly, random-matching type)

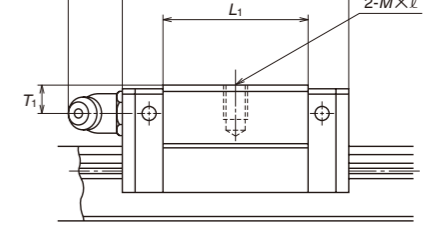
Front view of AL and CL types



Side view of AL type

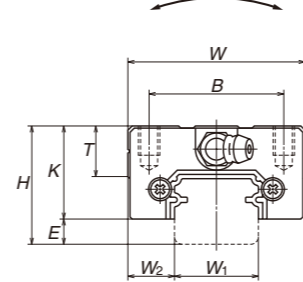


Side view of CL type

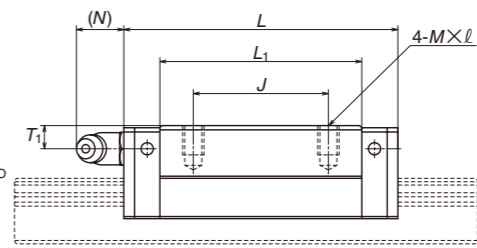


Ball slide of random-matching type

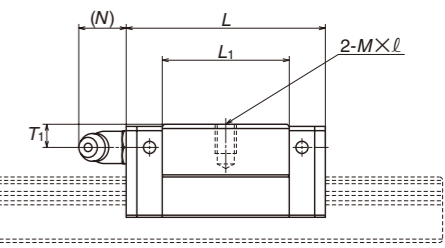
AL and CL types



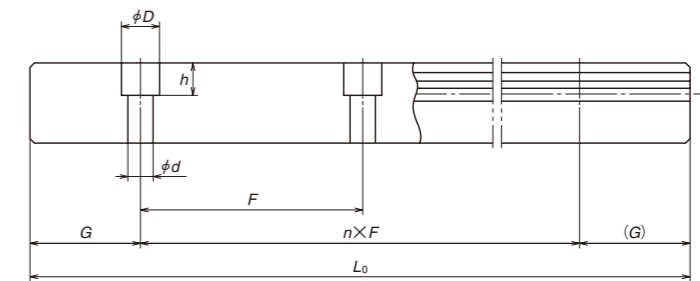
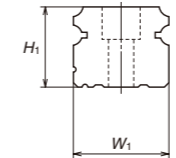
AL type



CL type



Rail of random-matching type



Model No.	Assembly			Ball slide										Width	Height	
	Height	Length	Width	Mounting hole					Grease fitting			Width	Height			
				H	E	W <sub>2</sub>	W	L	B	J	M×Pitch×ℓ					L <sub>1</sub>
NS15CL NS15AL	24	4.6	9.5	34	40.4 56.8	26	— 26	M4×0.7×6	23.6 40	19.4	10	φ 3	6	3	15	12.5
NS20CL NS20AL	28	6	11	42	47.2 65.2	32	— 32	M5×0.8×7	30 48	22	12	M6×0.75	5.5	11	20	15.5
NS25CL NS25AL	33	7	12.5	48	59.6 81.6	35	— 35	M6×1×9	38 60	26	12	M6×0.75	7	11	23	18
NS30CL NS30AL	42	9	16	60	67.4 96.4	40	— 40	M8×1.25×12	42 71	33	13	M6×0.75	8	11	28	23
NS35CL NS35AL	48	10.5	18	70	77 108	50	— 50	M8×1.25×12	49 80	37.5	14	M6×0.75	8.5	11	34	27.5

Notes: 1) External appearance of stainless steel ball slides differs from those of carbon steel ball slides.

2) The basic load rating comply with the ISO standard. (ISO14728-1 and ISO14728-2)

C<sub>50</sub>: the basic dynamic load rating for 50 km rating fatigue life, C<sub>100</sub>: the basic dynamic load rating for 100 km rating fatigue life

Pitch	Rail		G	Max. length L <sub>0max</sub> (reference) (for stainless)	Basic load rating										Weight	
	Mounting bolt hole d×D×h	F			2) Dynamic		Static	Static moment (N·m)				Ball slide (kg)	Rail (kg/m)			
					[50km]	[100km]		C <sub>0</sub> (N)	M <sub>PO</sub>		M <sub>YO</sub>					
					C <sub>50</sub> (N)	C <sub>100</sub> (N)			(One slide)	(Two slides)	(One slide)			(Two slides)		
60	*4.5×7.5×5.3 3.5×6×4.5	20	2 920 (1 800)	7 250 11 200	5 750 8 850	9 100 16 900	45.5 84.5	24.5 77	196 470	20.5 64.5	165 395	0.14 0.20	1.4			
														10 600 (3 500)	8 400 12 400	13 400 23 500
60	6×9.5×8.5	20	3 960 (3 500)	10 600 26 100	8 400 20 700	13 400 36 500	164 286	91 258	655 1 470	76 217	550 1 230	0.34 0.51	3.1			
														17 700 26 100	14 000 20 700	20 800 36 500
80	7×11×9	20	4 000 (3 500)	24 700 38 000	19 600 30 000	29 600 55 000	282 520	139 435	1 080 2 650	116 365	905 2 220	0.58 0.85	4.8			
														4 000 (3 500)	34 500 52 500	27 300 42 000

\*) Standard rail mounting bolt hole for NS15 is specified as hole for M4 (4.5 × 7.5 × 5.3). Please contact NSK to request a different hole for M3 (3.5 × 6 × 4.5).

Unit: mm

NS-JM (Medium-load type/short, flange type)  
NS-EM (High-load type/standard, flange type)

(1) Reference number for assembly

**NS 30 1200 EMC 2 -\*\* P5 3**

Series name	Preload code (refer to Table 9 on page 5) 0 : Z0, 1 : Z1, 3 : Z3, T : ZT, Z : ZZ, H : ZH
Size	Accuracy code (refer to Table 9 on page 5)
Rail length (mm)	Design serial number Added to the reference number
Ball slide shape code (refer to Fig. 2 on page 3)	Number of ball slides per rail
Material/surface treatment code (refer to Table 16 on page 7) C: Special high carbon steel (NSK standard); K: Stainless steel	

(2) Reference number for random-matching type

**NAS 30 EMSZ -K**

Ball slide	Option code
Random-matching ball slide series code NAS: NS Series random-matching ball slide	-K: Equipped with NSK K1 -F: Fluoride low temperature chrome plating + AS2 grease -F50: Fluoride low temperature chrome plating + LG2 grease
Size	Preload code No code: Fine clearance, Z: Slight preload, H: Medium preload
Ball slide shape code (refer to Fig. 2 on page 3)	Material code No code: Special high carbon steel (NSK standard), S: Stainless steel

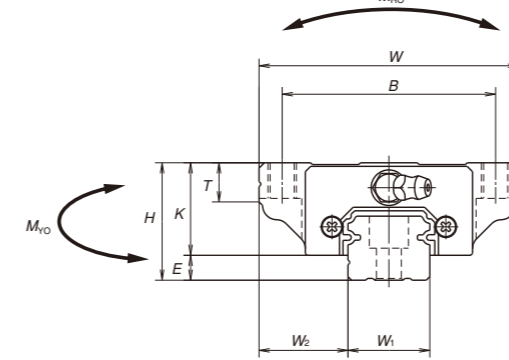
**N1S 30 1200 LCN -\*\* PC Z**

Rail	Preload code
Random-matching rail series code N1S: NS Series random-matching rail	T: Fine clearance, Z: Slight preload (common rail for slight or medium preload) (refer to Table 9 on page 5)
Size	Accuracy code PH: High precision grade random-matching type PC: Normal grade random-matching type
Rail length (mm)	Design serial number Added to the reference number
Rail shape code: L L: Standard, T: The rail mounting bolt hole M4 for NS15	Butting rail specification* N: Non-butting; L: Butting specification
Material/surface treatment code (refer to Table 16 on page 7)	*Please consult with NSK for butting rail specification.

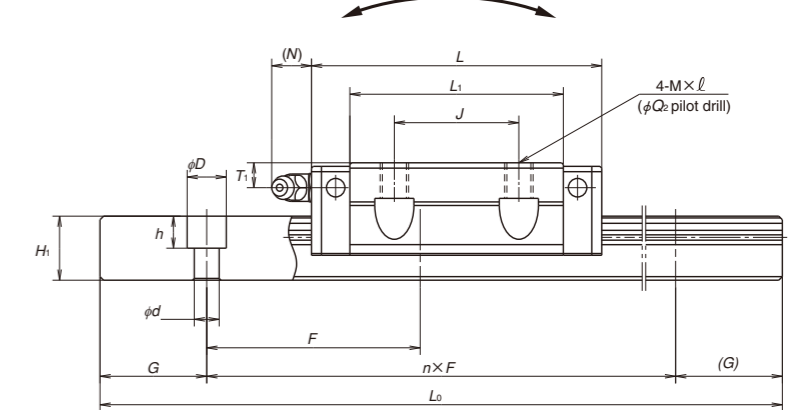
Click!Speedy™ NSK Linear Guide Quick Delivery System uses a new numbering system.  
For details, please refer to the Click!Speedy general catalog CAT. No. E3191.

Assembly (Preloaded assembly, random-matching type)

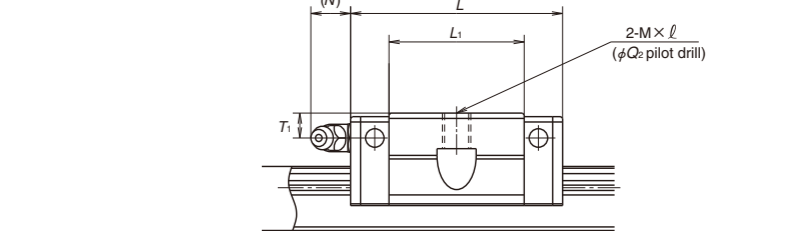
Front view of EM and JM types



Side view of EM type

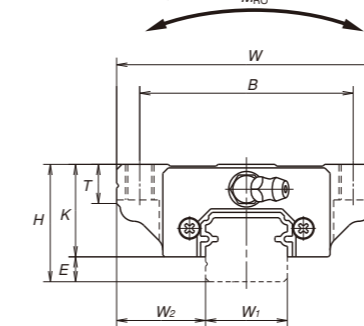


Side view of JM type

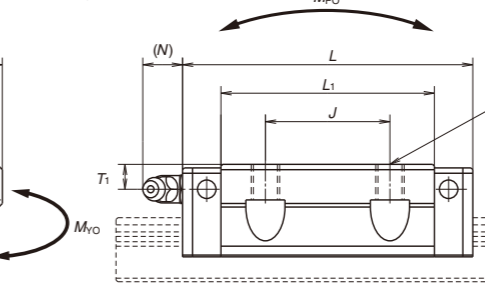


Ball slide of random-matching type

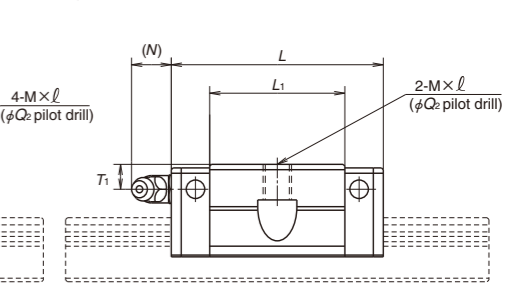
EM and JM types



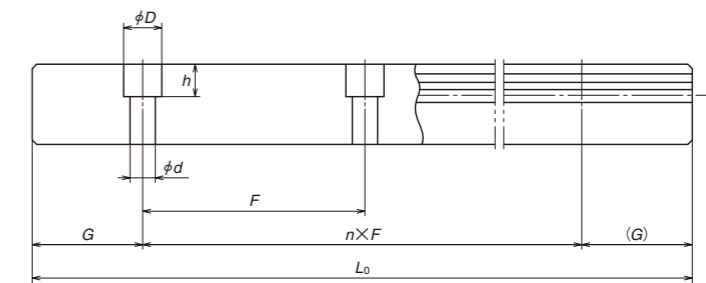
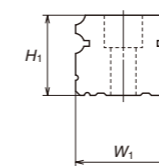
EM type



JM type



Rail of random-matching type



Model No.	Assembly			Ball slide										Grease fitting			Width	Height	
	Height	Width	Length	Mounting hole					Q <sub>2</sub>	L <sub>1</sub>	K	T	Hole size			W <sub>1</sub>			H <sub>1</sub>
				H	E	W <sub>2</sub>	B	J					M×Pitch×L	Hole size	T <sub>1</sub>				
NS15JM NS15EM	24	4.6	18.5	52	40.4 56.8	41	— 26	M5×0.8×7	4.4	23.6 40	19.4	8	φ 3	6	3	15	12.5		
NS20JM NS20EM	28	6	19.5	59	47.2 65.2	49	— 32	M6×1×9 (M6×1×9.5)	5.3	30 48	22	10	M6×0.75	5.5	11	20	15.5		
NS25JM NS25EM	33	7	25	73	59.6 81.6	60	— 35	M8×1.25×10 (M8×1.25×11.5)	6.8	38 60	26	11 (12)	M6×0.75	7	11	23	18		
NS30JM NS30EM	42	9	31	90	67.4 96.4	72	— 40	M10×1.5×12 (M10×1.5×14.5)	8.6	42 71	33	11 (15)	M6×0.75	8	11	28	23		
NS35JM NS35EM	48	10.5	33	100	77 108	82	— 50	M10×1.5×13 (M10×1.5×14.5)	8.6	49 80	37.5	12 (15)	M6×0.75	8.5	11	34	27.5		

Notes: 1) External appearance of stainless steel ball slides differs from those of carbon steel ball slides.  
2) Parenthesized dimensions are for items made of stainless steel.

Rail			Basic load rating										Weight	
Pitch	Mounting bolt hole d×D×h	G	Max. length L <sub>0max</sub> ( ) for stainless	3) Dynamic		Static	Static moment (N·m)				Ball slide (kg)	Rail (kg/m)		
				[50km] C <sub>50</sub> (N)	[100km] C <sub>100</sub> (N)		C <sub>0</sub> (N)	M <sub>PO</sub>	M <sub>YO</sub>	M <sub>YO</sub>			M <sub>YO</sub>	
60	*4.5×7.5×5.3 3.5×6×4.5	20	2 920 (1 800)	7 250 11 200	5 750 8 850	9 100 16 900	45.5 84.5	24.5 470	196 470	20.5 64.5	165 395	0.17 0.26	1.4	
60	6×9.5×8.5	20	3 960 (3 500)	10 600 15 600	8 400 12 400	13 400 23 500	91.5 160	46.5 133	330 755	39 111	279 630	0.24 0.35	2.3	
60	7×11×9	20	3 960 (3 500)	17 700 26 100	14 000 20 700	20 800 36 500	164 286	91 258	655 1 470	76 217	550 1 230	0.44 0.66	3.1	
80	7×11×9	20	4 000 (3 500)	24 700 38 000	19 600 30 000	29 600 55 000	282 520	139 435	1 080 2 650	116 365	905 2 220	0.76 1.2	4.8	
80	9×14×12	20	4 000 (3 500)	34 500 52 500	27 300 42 000	40 000 74 500	465 865	220 695	1 670 4 000	185 580	1 400 3 350	1.2 1.7	7	

3) The basic load rating comply with the ISO standard. (ISO14728-1 and ISO14728-2)  
C<sub>50</sub>: the basic dynamic load rating for 50 km rating fatigue life, C<sub>100</sub>: the basic dynamic load rating for 100 km rating fatigue life  
\*) Standard rail mounting bolt hole for NS15 is specified as hole for M4 (4.5 x 7.5 x 5.3).  
Please contact NSK to request a different hole for M3 (3.5 x 6 x 4.5).

Unit: mm

**Worldwide Sales Offices**

P: Phone ☆: Head Office

**NSK LTD. HEADQUARTERS, TOKYO JAPAN**

INDUSTRIAL MACHINERY BUSINESS DIVISION-HEADQUARTERS P: +81-3-3779-7227  
 AUTOMOTIVE BUSINESS DIVISION-HEADQUARTERS P: +81-3-3779-7189

**Africa**

**South Africa:**

**NSK SOUTH AFRICA (PTY) LTD.**  
 SANDTON P: +27-11-458-3600

**Asia and Oceania**

**Australia:**

**NSK AUSTRALIA PTY. LTD.**  
 MELBOURNE ☆ P: +61-3-9765-4400  
 SYDNEY P: +61-2-9839-2300  
 BRISBANE P: +61-7-3347-2600  
 PERTH P: +61-8-9256-5000

**New Zealand:**

**NSK NEW ZEALAND LTD.**  
 AUCKLAND P: +64-9-276-4992

**China:**

**NSK (SHANGHAI) TRADING CO., LTD.**  
 JIANGSU ☆ P: +86-512-5796-3000

**NSK (CHINA) INVESTMENT CO., LTD.**

JIANGSU P: +86-512-5796-3000  
 BEIJING P: +86-10-6590-8161  
 TIAN JIN P: +86-22-8319-5030  
 CHANGCHUN P: +86-431-8898-8682  
 SHENYANG P: +86-24-2334-2868  
 DALIAN P: +86-411-8800-8168  
 NANJING P: +86-25-8472-6671  
 FUZHOU P: +86-591-8380-1030  
 WUHAN P: +86-27-8556-9630  
 QINGDAO P: +86-532-5568-3877  
 GUANGZHOU P: +86-20-3817-7800  
 CHANGSHA P: +86-731-8571-3100  
 LUOYANG P: +86-379-6069-6188  
 XI'AN P: +86-29-8765-1896  
 CHONGQING P: +86-23-6806-5310  
 CHENGDU P: +86-28-8528-3680

**NSK CHINA SALES CO., LTD.**  
 JIANGSU P: +86-512-5796-3000

**NSK HONG KONG LTD.**

HONG KONG ☆ P: +852-2739-9933  
 SHENZHEN P: +86-755-25904886

**Taiwan:**

**TAIWAN NSK PRECISION CO., LTD.**  
 TAIPEI ☆ P: +886-2-2772-3355  
 TAICHUNG P: +886-4-2708-3393  
 TAINAN P: +886-6-215-6058

**India:**

**NSK BEARINGS INDIA PRIVATE LTD.**  
 CHENNAI ☆ P: +91-44-2847-9600  
 DELHI P: +91-124-4838000  
 MUMBAI P: +91-22-2838-7787

**Indonesia:**

**PT. NSK INDONESIA**  
 JAKARTA P: +62-21-252-3458

**Korea:**

**NSK KOREA CO., LTD.**  
 SEOUL P: +82-2-3287-0300

**Malaysia:**

**NSK BEARINGS (MALAYSIA) SDN.BHD.**  
 SHAH ALAM ☆ P: +60-3-7803-8859  
 PRAI P: +60-4-3902275  
 JOHOR BAHRU P: +60-7-3546290  
 IPOH P: +60-5-2555000

**Philippines:**

**NSK REPRESENTATIVE OFFICE**  
 MANILA P: +63-2-893-9543

**Singapore:**

**NSK INTERNATIONAL (SINGAPORE) PTE LTD.**  
 SINGAPORE P: +65-6496-8000

**NSK SINGAPORE (PRIVATE) LTD.**  
 SINGAPORE P: +65-6496-8000

**Thailand:**

**NSK BEARINGS (THAILAND) CO., LTD.**  
 BANGKOK P: +66-2320-2555

**Vietnam:**

**NSK VIETNAM CO., LTD.**  
 HANOI P: +84-24-3955-0159

**NSK REPRESENTATIVE OFFICE**  
 HO CHI MINH CITY P: +84-28-3822-7907

**Europe**

**United Kingdom:**  
**NSK EUROPE LTD. (EUROPEAN HEADQUARTERS)**  
 MAIDENHEAD P: +44-1628-509-800

**NSK UK LTD.**  
 NEWARK P: +44-1636-605-123

**France:**  
**NSK FRANCE S.A.S.**  
 PARIS P: +33-1-30-57-39-39

**Germany:**  
**NSK DEUTSCHLAND GMBH**  
 DUSSELDORF ☆ P: +49-2102-4810  
 STUTTGART P: +49-711-79082-0  
 WOLFSBURG P: +49-5361-27647-10

**Italy:**  
**NSK ITALIA S.P.A.**  
 MILANO P: +39-299-5191

**Netherlands:**  
**NSK EUROPEAN DISTRIBUTION CENTRE B.V.**  
 TILBURG P: +31-13-4647647

**Poland:**  
**NSK REPRESENTATIVE OFFICE**  
 WARSAW P: +48-22-645-1525

**Russia:**  
**NSK POLSKA SP. Z O.O.**  
 SAINT-PETERSBURG P: +7-812-332-5071

**Spain:**  
**NSK SPAIN S.A.**  
 BARCELONA P: +34-93-289-2763

**Turkey:**

**NSK RULMANLARI ORTA DOGU TIC. LTD. STL**  
 ISTANBUL P: +90-216-477-7111

**United Arab Emirates:**

**NSK BEARINGS GULF TRADING CO.**  
 DUBAI P: +971-4-804-8207

**North and South America**

**United States of America:**  
**NSK AMERICAS, INC. (AMERICAN HEADQUARTERS)**  
 ANN ARBOR P: +1-734-913-7500

**NSK CORPORATION**  
 ANN ARBOR P: +1-734-913-7500

**NSK PRECISION AMERICA, INC.**  
 FRANKLIN ☆ P: +1-317-738-5000  
 SAN JOSE P: +1-408-944-9400

**NSK LATIN AMERICA, INC.**  
 MIAMI P: +1-305-477-0605

**Canada:**

**NSK CANADA INC.**  
 TORONTO ☆ P: +1-905-890-0740  
 MONTREAL P: +1-514-633-1220  
 VANCOUVER P: +1-877-994-6675

**Argentina:**

**NSK ARGENTINA SRL**  
 BUENOS AIRES P: +54-11-4704-5100

**Brazil:**

**NSK BRASIL LTDA.**  
 SUZANO ☆ P: +55-11-4744-2500  
 BELO HORIZONTE P: +55-31-3274-2591  
 JOINVILLE P: +55-47-3422-2239  
 PORTO ALEGRE P: +55-51-3346-7851  
 RECIFE P: +55-81-3326-3781

**Peru:**  
**NSK PERU S.A.C.**  
 LIMA P: +51-1-493-4385

**Mexico:**

**NSK RODAMIENTOS MEXICANA, S.A. DE C.V.**  
 MEXICO CITY ☆ P: +52-55-3682-2900  
 MONTERREY P: +52-81-8000-7300

<As of October 2018>

For the latest information, please refer to the NSK website.

[www.nsk.com](http://www.nsk.com)

NSK Ltd. has a basic policy not to export any products or technology designated as controlled items by export-related laws. When exporting the products in this brochure, the laws of the exporting country must be observed. Specifications are subject to change without notice and without any obligation on the part of the manufacturer. Every care has been taken to ensure the accuracy of the data contained in this brochure, but no liability can be accepted for any loss or damage suffered through errors or omissions. We will gratefully acknowledge any additions or corrections.

**For more information about NSK products, please contact:** \_\_\_\_\_



NSK used environmentally friendly printing methods for this publication.