

Tubular Modular System

TRANSPORT LINES AND FLEXIBLE CONSTRUCTIONS IN AUTOMATION

Naziv
Description

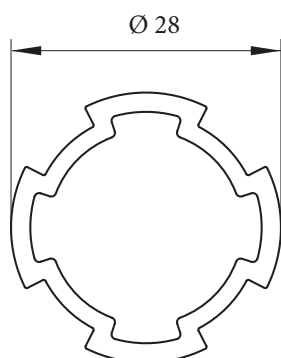
Al. Profil Ø 28 L

Al. Profile Ø 28 L

Al. Profilo Ø 28 L

Al. Profile Ø 28 L

Descrizione
Beschreibung



Al
Elo

Al. Profile Ø 28 L



3500g

Code

14028

Naziv
Description

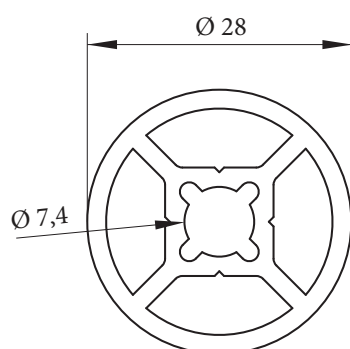
Al. Profil Ø 28

Al. Profile Ø 28

Al. Profilo Ø 28

Al. Profile Ø 28

Descrizione
Beschreibung



Al
Elo

Al. Profile Ø 28



608g

Code

14029