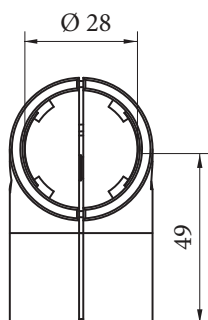
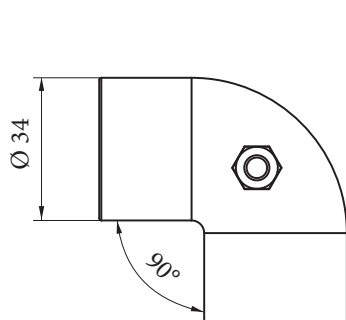



# Tubular Modular System

TRANSPORT LINES AND FLEXIBLE CONSTRUCTIONS IN AUTOMATION

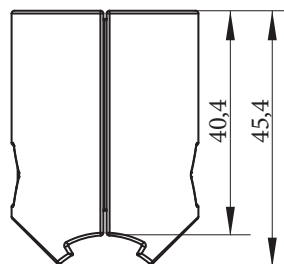
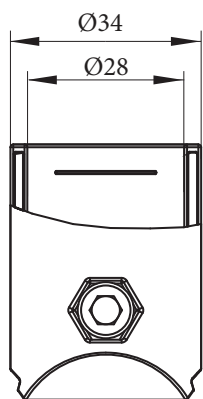
Naziv Description	Cevni spoj - kotni Tubular Frame Connector - corner	Racordo tubolare - angolare Winkelverbinder	Descrizione Beschreibung
----------------------	--	--	-----------------------------




AL

Tubular Frame Connector - corner	 89g	<b>Code</b> 14032
----------------------------------	--	----------------------

Naziv Description	Cevni spoj 90° Tubular Frame Connector 90°	Racordo tubolare 90° Rundrohrverbinder 90°	Descrizione Beschreibung
----------------------	---	---	-----------------------------



AL

Tubular Frame Connector 90°	 55g	<b>Code</b> 14033
-----------------------------	--	----------------------