

# Tubular Modular System

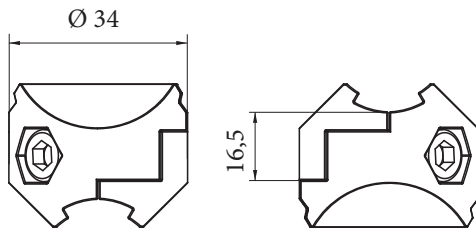
TRANSPORT LINES AND FLEXIBLE CONSTRUCTIONS IN AUTOMATION

**Naziv**  
**Description**

Paralelni križni cevni spoj  
Tubular Frame Connector X

Connetore trasversale  
Kreuzverbinder X

**Descrizione**  
**Beschreibung**



AL

Tubular Frame Connector X



50g

**Code**

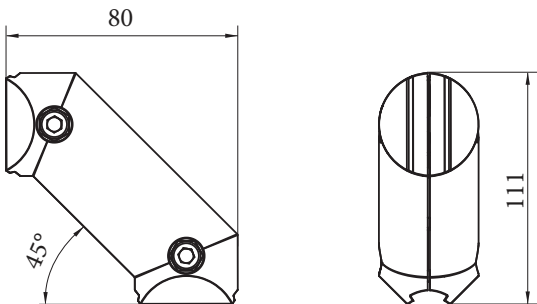
**14038**

**Naziv**  
**Description**

Cevni kotni spoj 45°  
Tubular Frame Corner Connector 45°

Connetore angolare 45°  
Eckverbinder 45°

**Descrizione**  
**Beschreibung**



AL

Tubular Frame Corner Connector 45°



128g

**Code**

**14039**