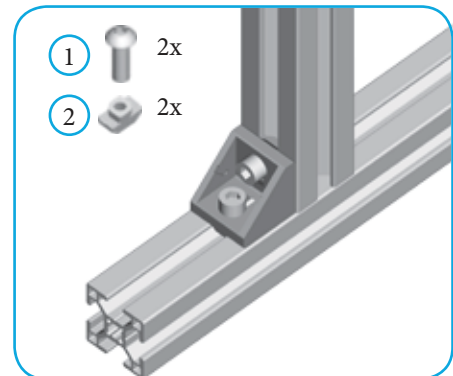
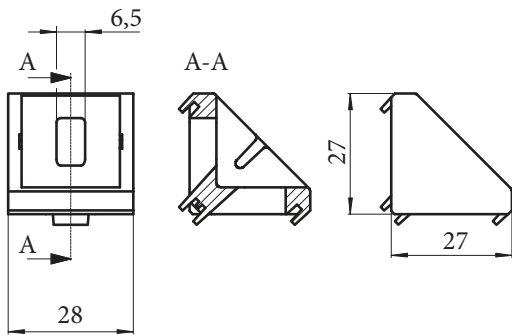


Joining elements

TRANSPORT LINES AND FLEXIBLE CONSTRUCTIONS IN AUTOMATION

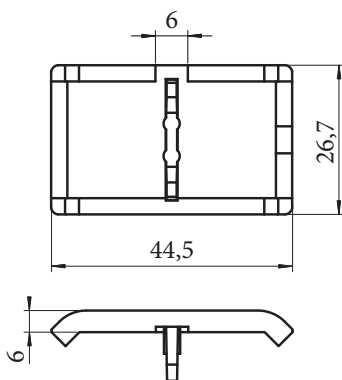
Naziv Description	Kotnik Al. 30 x 30 Bracket Al. 30 x 30	Angolare Al. 30 x 30 Winkel Al. 30 x 30	Descrizione Beschreibung
----------------------	---	--	-----------------------------



Bracket Al. 30 x 30	20g	Code 11101
---------------------	-----	----------------------

Assembly components - sold separately		Code
1	Screw with round head M6x12	11017
2	Hammer Nut M6	11057

Naziv Description	Pokrov za kotnik 30 x 30 Cover cap for Bracket 30 x 30	Tappo per angolare 30 x 30 Winkel Abdeckkappe für 30 x 30	Descrizione Beschreibung
----------------------	---	--	-----------------------------



Cover cap for Bracket 30 x 30	6g	Code 11102
-------------------------------	----	----------------------