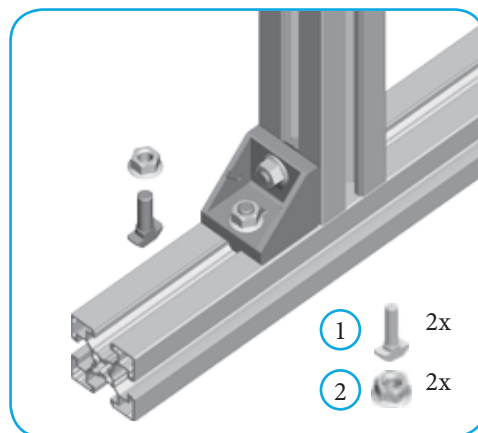
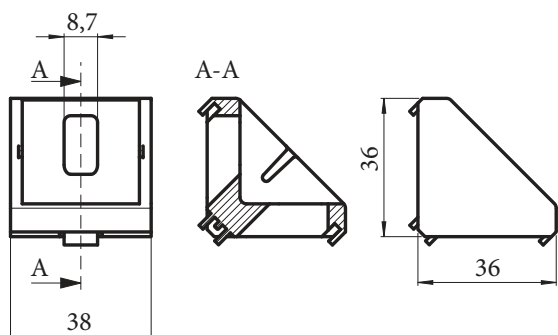


Joining elements

TRANSPORT LINES AND FLEXIBLE CONSTRUCTIONS IN AUTOMATION

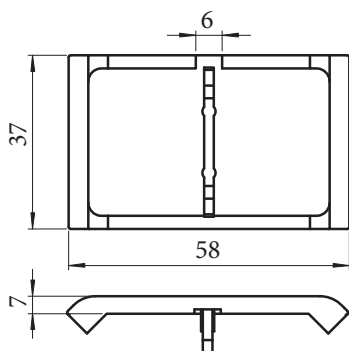
Naziv Description	Kotnik Al. 40 x 40 Bracket Al. 40 x 40	Angolare Al. 40 x 40 Winkel Al. 40 x 40	Descrizione Beschreibung
----------------------	-------------------------------------------	--------------------------------------------	-----------------------------



Zn	10		Code
		Bracket Al. 40 x 40	34g
			11142

Assembly components - sold separately			Code
①	Hammer Head Screw M8x20	📄 37	11047
②	Flange Nut M8 16	📄 37	11052

Naziv Description	Pokrov za kotnik 40 x 40 Cover cap for Bracket 40 x 40	Tappo per angolare 40 x 40 Winkel Abdeckkappe für 40 x 40	Descrizione Beschreibung
----------------------	-----------------------------------------------------------	--------------------------------------------------------------	-----------------------------



PA6 #			Code
		Cover cap for Bracket 40 x 40	11g
			11143