

Joining elements

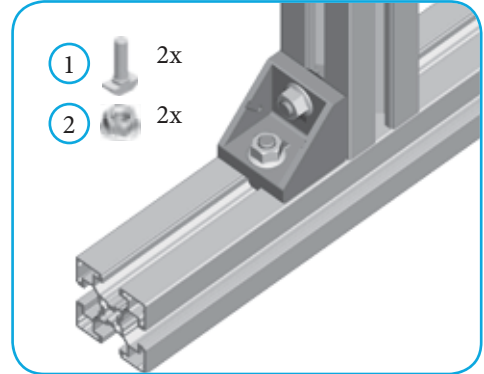
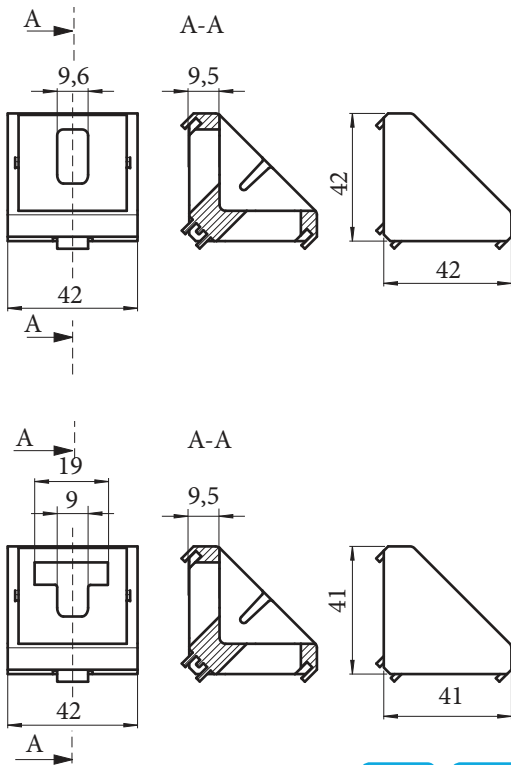
TRANSPORT LINES AND FLEXIBLE CONSTRUCTIONS IN AUTOMATION

Naziv
Description

Kotnik Al. 45 x 45
Bracket Al. 45 x 45

Angolare Al. 45 x 45
Winkel Al. 45 x 45

Descrizione
Beschreibung



Version		Weight	Code
A	Bracket Al. 45 x 45	50g	11103
B	Bracket Al. 45 x 45 T	70g	11161

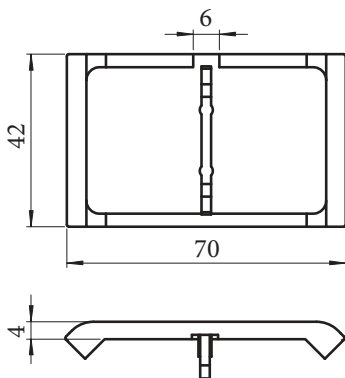
Assembly components - sold separately			Code
1	Hammer Head Screw M8x25	📄 37	11048
2	Flange Nut M8 16	📄 37	11052

Naziv
Description

Pokrov za kotnik 45 x 45
Cover cap for Bracket 45 x 45

Tappo per angolare 45 x 45
Winkel Abdeckkappe für 45 x 45

Descrizione
Beschreibung



	Weight	Code
Cover cap for Bracket 45 x 45	16g	11104