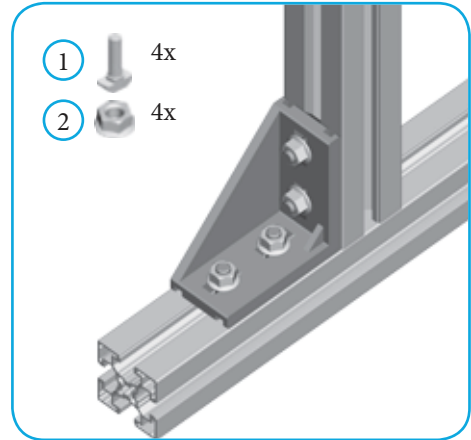
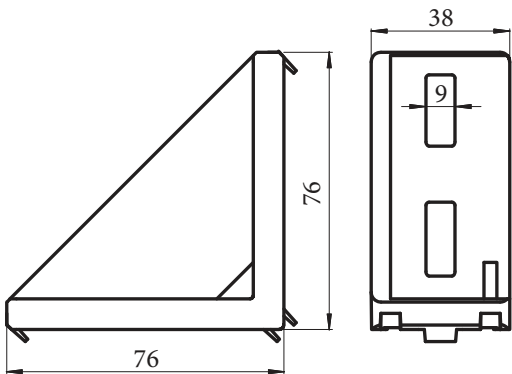


# Joining elements

TRANSPORT LINES AND FLEXIBLE CONSTRUCTIONS IN AUTOMATION

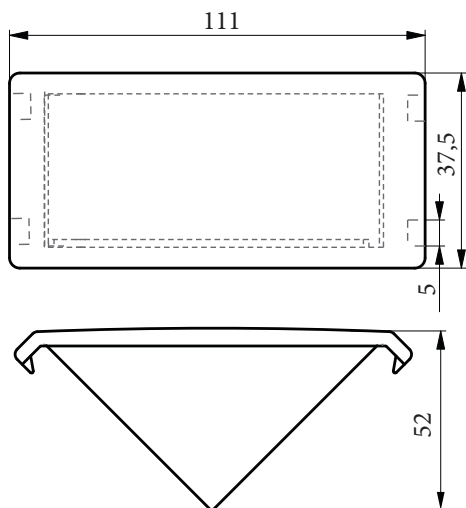
<b>Naziv</b> <b>Description</b>	Kotnik Al. 40 x 80 Bracket Al. 40 x 80	Angolare Al. 40 x 80 Winkel Al. 40 x 80	<b>Descrizione</b> <b>Beschreibung</b>
------------------------------------	---	--	---



Bracket Al. 40 x 80	119g	<b>Code</b> <b>11084</b>
---------------------	------	-----------------------------

Assembly components - sold separately		<b>Code</b>
1	Hammer Head Screw M8x20	37 <b>11047</b>
2	Flange Nut M8 16	37 <b>11052</b>

<b>Naziv</b> <b>Description</b>	Pokrov za kotnik 40 x 80 Cover cap for Bracket 40 x 80	Tappo per angolare 40 x 80 Winkel Abdeckkappe für 40 x 80	<b>Descrizione</b> <b>Beschreibung</b>
------------------------------------	---	--	---



Cover cap for Bracket 40 x 80	87g	<b>Code</b> <b>11085</b>
-------------------------------	-----	-----------------------------