

Joining elements

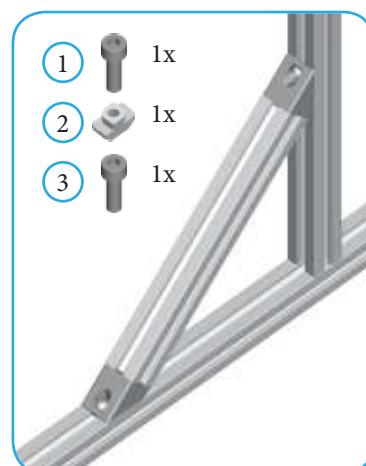
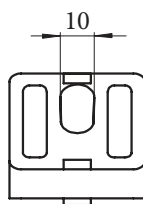
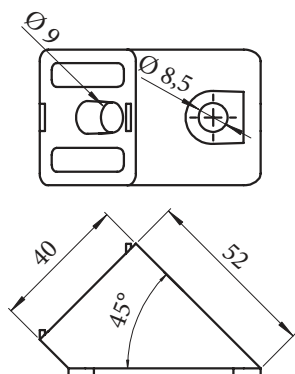
TRANSPORT LINES AND FLEXIBLE CONSTRUCTIONS IN AUTOMATION

Naziv
Description

Kotnik 40 x 40 - 45°
Connector Angle 40 x 40 - 45°

Angolare 40 x 40 - 45°
Winkel 40 x 40 - 45°

Descrizione
Beschreibung



- 1 1x
- 2 1x
- 3 1x

Zn

10

Connector Angle 40 x 40 - 45°	208g	Code 11144
-------------------------------	------	----------------------

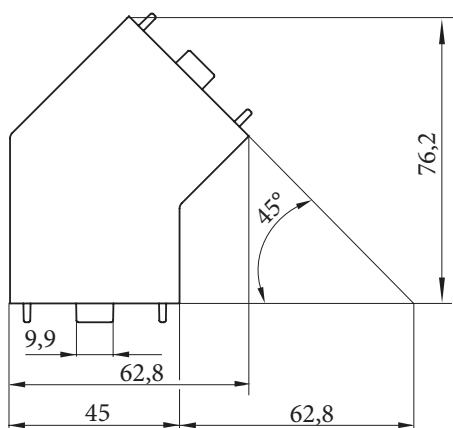
Assembly components - sold separately		Code
1	Screw with cylindrical head M8x16	35 11007
2	Hammer Nut M8 U10	38 11061
3	Screw with cylindrical head M8x20	35 11008

Naziv
Description

Kotnik 45 x 45 - 45°
Connector Angle 45 x 45 - 45°

Angolare 45 x 45 - 45°
Winkel 45 x 45 - 45°

Descrizione
Beschreibung



NEW
PRODUCT



- 1 x2

Zn

10

Connector Angle 45 x 45 - 45°	155g	Code 11091
-------------------------------	------	----------------------

Assembly components - sold separately		Code
1	Screw with cylindrical head M8x20	35 11008