

Joining elements

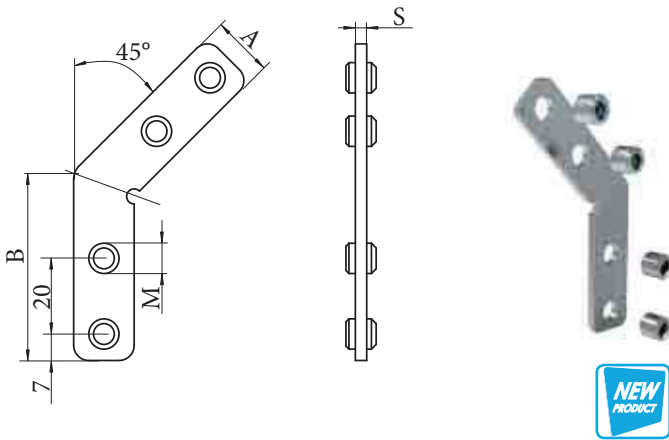
TRANSPORT LINES AND FLEXIBLE CONSTRUCTIONS IN AUTOMATION

Naziv
Description

Kotnik zunanji 45°
Outside angle 45°

Angolare esterno 45°
Äussere Eckverbinder 45°

Descrizione
Beschreibung



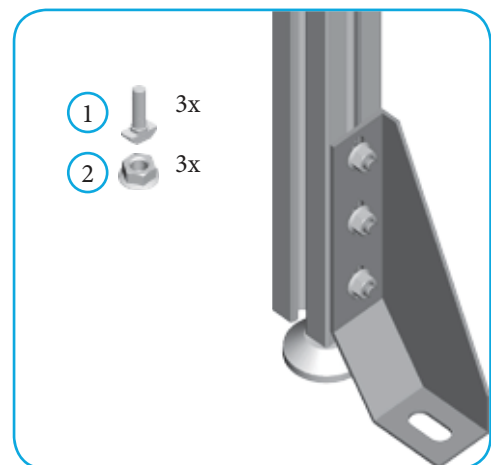
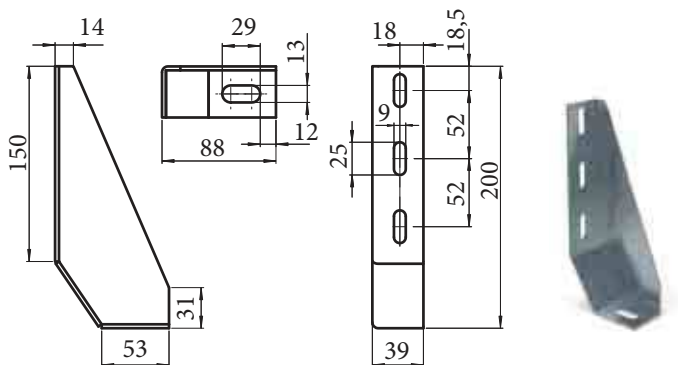
Zn Fe	10	M	A	B	S		code
		8	16	45	3	40g	11093
Assembly components - sold separately							Code
1	Threaded insert M8x10					36	11033

Naziv
Description

Kotnik temeljni
Floor Bracket

Angolare di base
Bodenwinkel

Descrizione
Beschreibung



Zn Fe	10				Code
		Floor Bracket		434g	11121
Assembly components - sold separately					
1	Hammer Head Screw M8x25			37	11048
2	Flange Nut M8 16			37	11052