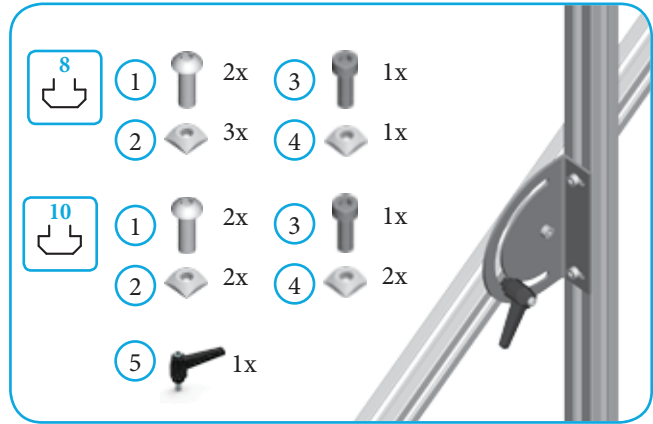
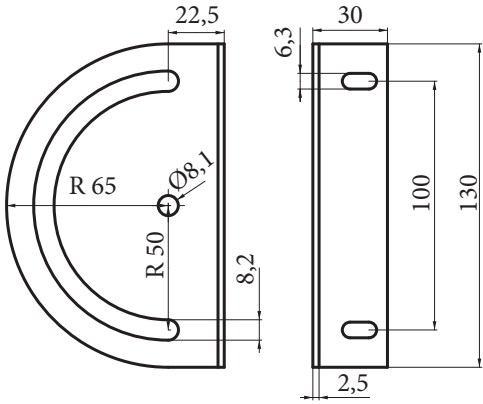


Joining elements

TRANSPORT LINES AND FLEXIBLE CONSTRUCTIONS IN AUTOMATION

Naziv Description	Nosilec nastavljivi 180° Adjustable pivot angle 180°	Supporto regolabile 180° Einstellbare Halterung 180°	Descrizione Beschreibung
----------------------	---	---	-----------------------------



Zn Fe	8/10		Code
		Adjustable pivot angle 180°	216g 11122

		Assembly components - sold separately		Code
8	1	Screw with round head M6x10	35	11016
	2	Square Nut M6 U8	39	11063
	3	Screw with cylindrical head M8x10	35	11021
	4	Square Nut M8 U8	39	11064
	5	Clamping lever	66	11158

		Assembly components - sold separately		Code
10	1	Screw with round head M6x12	35	11017
	2	Square Nut M6 U10	38	11060
	3	Screw with cylindrical head M8x14	35	11022
	4	Square Nut M8 U10	39	11066
	5	Clamping lever	66	11159