

# Joining elements

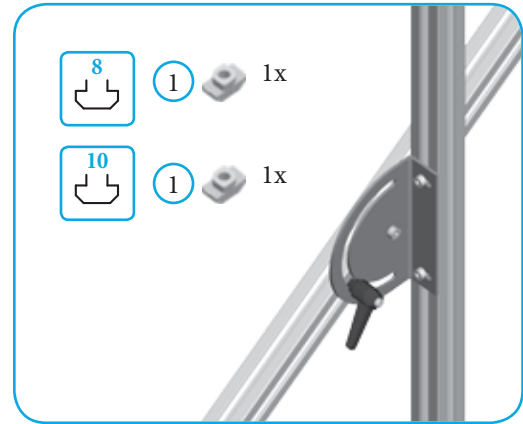
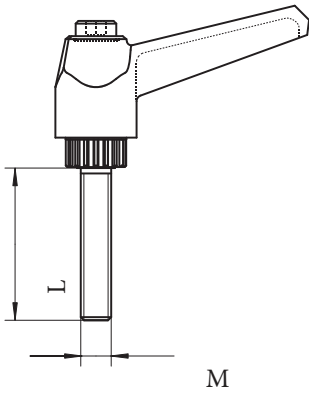
TRANSPORT LINES AND FLEXIBLE CONSTRUCTIONS IN AUTOMATION

**Naziv**  
**Description**

Zatezna ročica  
**Clamping lever**

Maniglia di bloccaggio  
Klemmhebel

**Descrizione**  
**Beschreibung**



		M	L		<b>Code</b>
		6	10		
		M	L		<b>Code</b>
		8	16		
		<b>Assembly components - sold separately</b>			<b>Code</b>
8		Hammer Nut M6 U8		38	<b>11057</b>
10		Hammer Nut M8 U10		38	<b>11061</b>