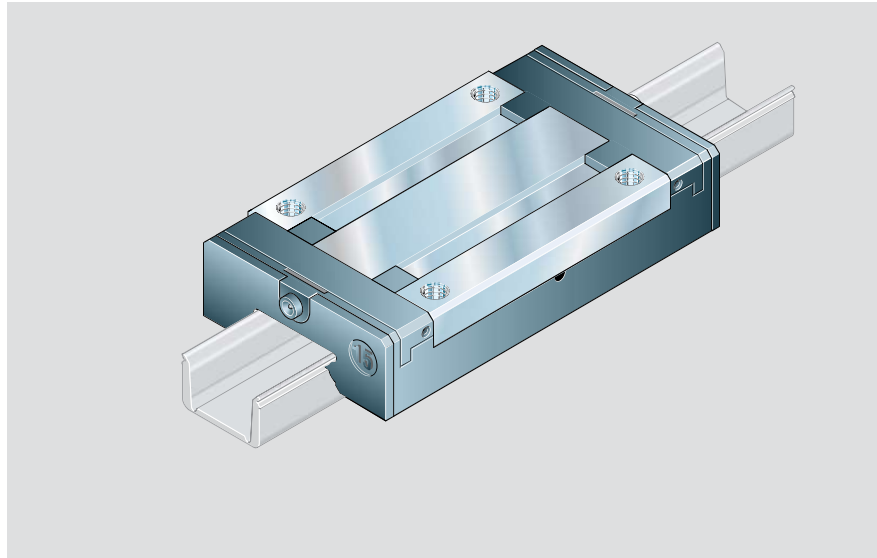


## Long Runner Blocks R0444

All steel parts of the runner block are made of rust and acid resistant material similar to ISO 683-17 / EN 10088. The runner blocks are delivered mounted on arbors.



### Part numbers for runner blocks

Standard seals: low-friction seals.

Part number: R0444 ... **01** (see table)

Special versions:

Runner blocks are also available:

- with N seals (excellent wiping action)  
Sizes 9/M3, 12 and 15 have additional longitudinal seals for full sealing.  
Part number: R0444 ... **00** (otherwise as per table)
- without basic lubrication for individual lubrication.
  - sizes 9/M3, 12 and 15 additionally with N seals and longitudinal seals.  
Part number: R0444 ... **40** (otherwise as per table)
  - with low-friction seals  
Part number: R0444 ... **41** (otherwise as per table)

Size	Accuracy class	Part numbers for runner blocks	
		Clearance 9	Preload 1
7	P	–	R0444 712 01
	H	R0444 793 01	R0444 713 01
	N	R0444 794 01	–
9/M3	P	–	R0444 812 01
	H	R0444 893 01	R0444 813 01
	N	R0444 894 01	–
12	P	–	R0444 212 01
	H	R0444 293 01	R0444 213 01
	N	R0444 294 01	–
15	P	–	R0444 512 01
	H	R0444 593 01	R0444 513 01
	N	R0444 594 01	–

Take frictional drag of the respective seals into account. See "Technical Data", section "Friction and seals".

### Note on dynamic load capacities and moments (see table)

Determination of the dynamic load capacities and moments is based on a travel life of 100,000 m.

Often only 50,000 m are actually stipulated.

For comparison:

Multiply values  $C$ ,  $M_t$  and  $M_L$  from the table by 1.26.

### Ordering example 1:

Runner block size 12, accuracy class P, preloaded, standard seals

Ordering data: **R0444 212 01**

### Ordering example 2:

Runner block size 7, accuracy class H, clearance, N seals

Ordering data: **R0444 793 00**

### Ordering example 3:

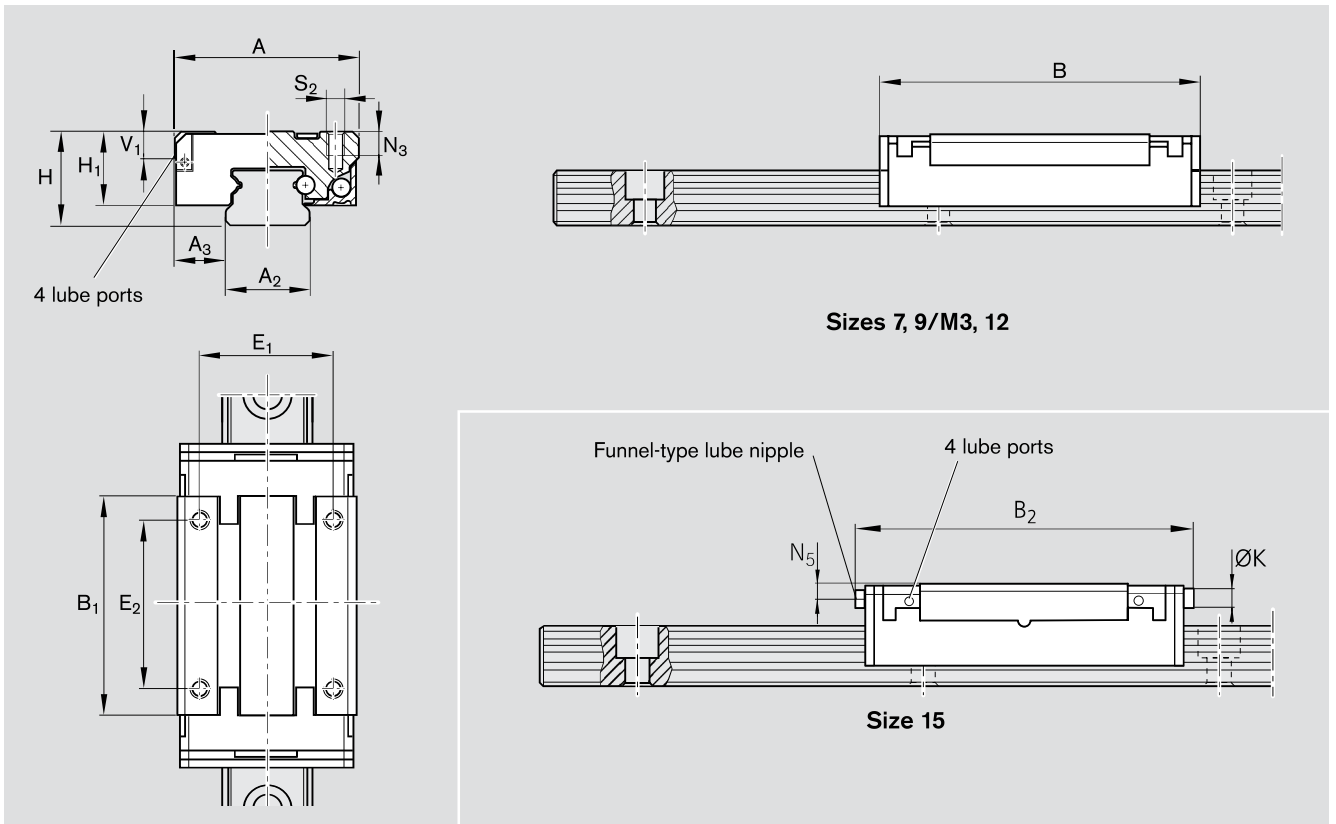
Runner block size 15, accuracy class H, preloaded, N seals and longitudinal seals, no basic lubrication

Ordering data: **R0444 513 40**

### Ordering example 4:

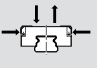

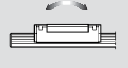
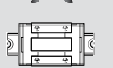
Runner block size 9/M3, accuracy class N, clearance, standard seals, no basic lubrication

Ordering data: **R0444 894 41**



Size	Dimensions (mm)															
	A	A <sub>2</sub>	A <sub>3</sub>	B	B <sub>1</sub>	B <sub>2</sub>	H	H <sub>1</sub> <sup>1)</sup>	H <sub>1</sub> <sup>2)</sup>	V <sub>1</sub>	E <sub>1</sub>	E <sub>2</sub>	K	N <sub>3</sub>	N <sub>5</sub>	S <sub>2</sub>
7	17	7	5.0	33.0	24.1	-	8	6.5	-	2.0	12	13	-	2.5	-	M2
9/M3	20	9	5.5	41.4	31.3	-	10	8.0	8.65	2.8	15	16	-	3.0	-	M3
12	27	12	7.5	47.5	34.5	-	13	10.0	10.65	3.3	20	20	-	3.5	-	M3
15	32	15	8.5	60.8	45.0	63.8	16	12.0	12.65	4.7	25	25	4	4.0	2.1	M3

- 1) Without longitudinal seal
- 2) With longitudinal seal

Size	Weight Runner block (g)	Load capacities (N)		Moments (Nm)			
		 C <sup>1)</sup>	C <sub>0</sub> <sup>1)</sup>	 M <sub>t</sub> <sup>2)</sup>	M <sub>t0</sub> <sup>2)</sup>	 M <sub>t</sub> <sup>2)</sup>	 M <sub>Lo</sub> <sup>2)</sup>
7	14	1220	2340	4.5	8.5	4.3	8.3
9/M3	26	1570	3150	7.2	14.5	7.0	14.0
12	51	3240	5630	19.3	33.5	16.8	29.2
15	94	5940	10170	44.0	75.3	39.2	67.1

- 1) Calculated values conforming to DIN 636, Part 2
- 2) Calculated values (based on C, C<sub>0</sub>)