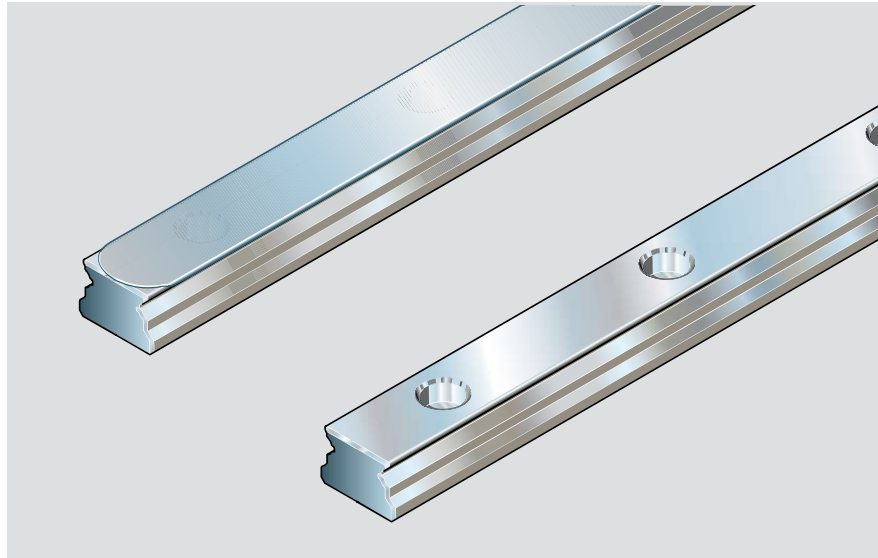


Standard Guide Rails R0445

For runner blocks R0442 and R0444.
Guide rails are made of rust and acid resistant material similar to ISO 683-17 / EN 10088.



Part numbers for guide rails

Size	Accuracy class	Part numbers for guide rails	
		Part number, length L (mm) without cover strip	with cover strip
7	P	R0445 702 31,....	–
	H	R0445 703 31,....	–
	N	R0445 704 31,....	–
9/M3	P	R0445 802 31,....	R0445 862 31,....
	H	R0445 803 31,....	R0445 863 31,....
	N	R0445 804 31,....	R0445 864 31,....
12	P	R0445 202 31,....	R0445 262 31,....
	H	R0445 203 31,....	R0445 263 31,....
	N	R0445 204 31,....	R0445 264 31,....
15 ¹⁾	P	R0445 502 31,....	R0445 562 31,....
	H	R0445 503 31,....	R0445 563 31,....
	N	R0445 504 31,....	R0445 564 31,....
20	P	R0445 002 31,....	R0445 062 31,....
	H	R0445 003 31,....	R0445 063 31,....
	N	R0445 004 31,....	R0445 064 31,....

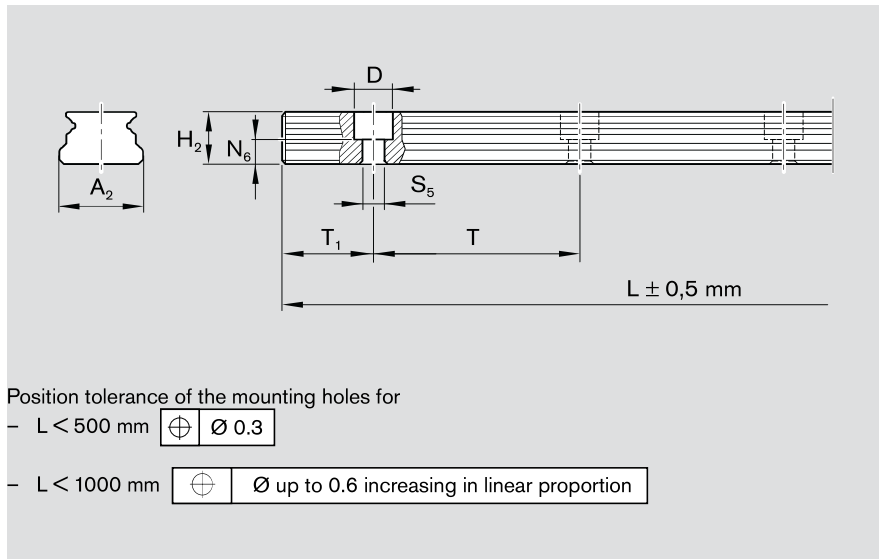
1) Also available in versions for mounting from below (please ask).

Recommended rail lengths

$$L = n_B \cdot T - 4$$

L = rail length (mm)
T = hole spacing (mm)
n_B = number of holes

Dimensions and weights



Size	Dimensions (mm)									Weight g/100 mm
	A ₂	H ₂ ¹⁾	N ₆	D	S ₅	T _{1min}	T _{1max}	T	L _{1max} ²⁾³⁾	
7	7	4.7	2.2	4.3	2.5	5.0	11.5	15	1000	22
9/M3	9	5.5	2.2	6.0	3.5	6.0	15.5	20	1000	33
12	12	7.8	3.0	6.0	3.5	6.0	20.5	25	1000	61
15	15	9.5	4.7	6.0	3.5	6.0	35.5	40	1000	97
20	20	15.0	6.5	9.5	6.0	6.5	53.5	60	1000	211

- 1) Dimensions without cover strip
- 2) For rail lengths longer than L_{max} factory-made mating sections are joined end-to-end.
- 3) For special cases one-piece guide rails up to 2000 mm length possible (please ask).

Ordering Examples

Ordering example 2

(up to L_{max} with cover strip):

Guide rail size 12 with cover strip, accuracy class P, recommended rail length 771 mm (30 · T, number of holes n_B = 31, T₁ at one end of guide rail = 4.5 mm)

Ordering data:

R0445 262 31, 771 mm, T1 = 4.5 mm

(At the other end of the guide rail T₁ = 16.5 mm for production reasons.)

☞ If no T₁ is specified by the customer, both ends of the guide rail will be identical. The rail lengths were calculated using the formula for recommended rail lengths.

Ordering example 3

(composite rail over L_{max}):

Guide rail size 12, accuracy class N, recommended rail length 1271, mm, 2 sections (50 · T, number of holes n_B = 51, T₁ is identical at both ends of the composite guide rail)

Ordering data: **R0445 204 32, 1271 mm**

Number of sections

Ordering example 1

(up to L_{max}):

Guide rail size 12, accuracy class P, recommended rail length 771 mm (30 · T, number of holes n_B = 31, T₁ is identical at both ends of the guide rail)

Ordering data: **R0445 202 31, 771 mm**

Ordering example 4

(one-piece over L_{max}):

Guide rail size 12, accuracy class P, recommended rail length 1771 mm (70 · T, number of holes n_B = 71, T₁ is identical at both ends of the guide rail)

Ordering data: **R0445 202 31, 1771 mm**