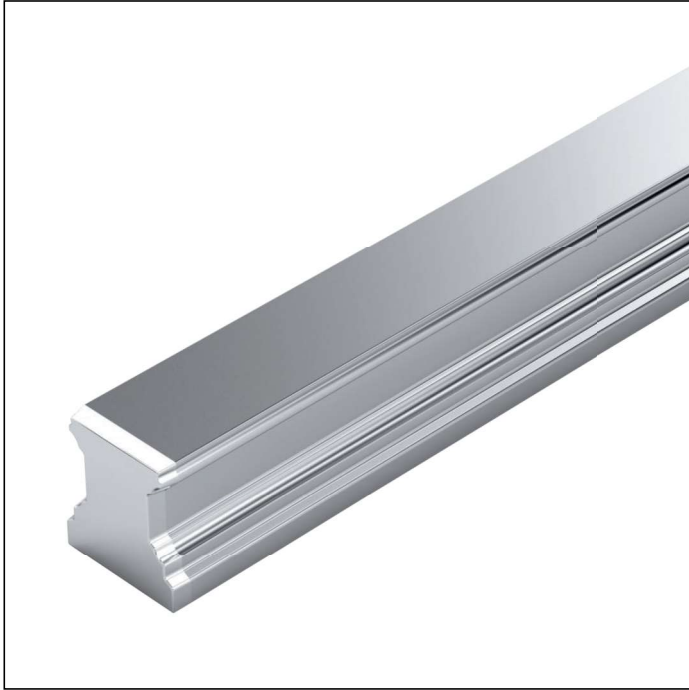


SNS for mounting from below



R1607 .0. ..

For mounting from below

Notes

▶ Follow the mounting instructions!
Please ask for the “Mounting Instructions for Ball Rail Systems”.

▶ Composite guide rails also available.

Further ball guide rails SNS and accessories

▶ Corrosion-resistant Resist NR and Resist CR ball guide rails

Options and part numbers

Size	Ball guide rail with size	Accuracy class					Number of sections, rail length L (mm), ...		Hole spacing T (mm)	Recommended rail length in accordance with formula $L = n_B \cdot T - 4 \text{ mm}$		
		N	H	P	SP	UP	One-piece	Composite		Maximum number of holes n_B		
15	R1607 10	4	3	2	1	9	31, ...	3., ...	60	64		
20	R1607 80	4	3	2	1	9	31, ...	3., ...	60	64		
25	R1607 20	4	3	2	1	9	31, ...	3., ...	60	64		
30	R1607 70	4	3	2	1	9	31, ...	3., ...	80	48		
35	R1607 30	4	3	2	1	9	31, ...	3., ...	80	48		
45	R1607 40	4	3	2	1	9	31, ...	3., ...	105	36		
55	R1607 50	4	3	2	1	9	31, ...	3., ...	120	32		
65	R1607 60	4	3	2	1	9	31, ...	3., ...	150	25		
e.g.	R1607 70	3					31, 1676					

Ordering example 1 (to L_{max})

Options:

- ▶ Ball guide rail SNS
- ▶ Size 30
- ▶ Accuracy class H
- ▶ One-piece
- ▶ Rail length
L = 1676 mm

Part number:

R1607 703 31, 1676 mm

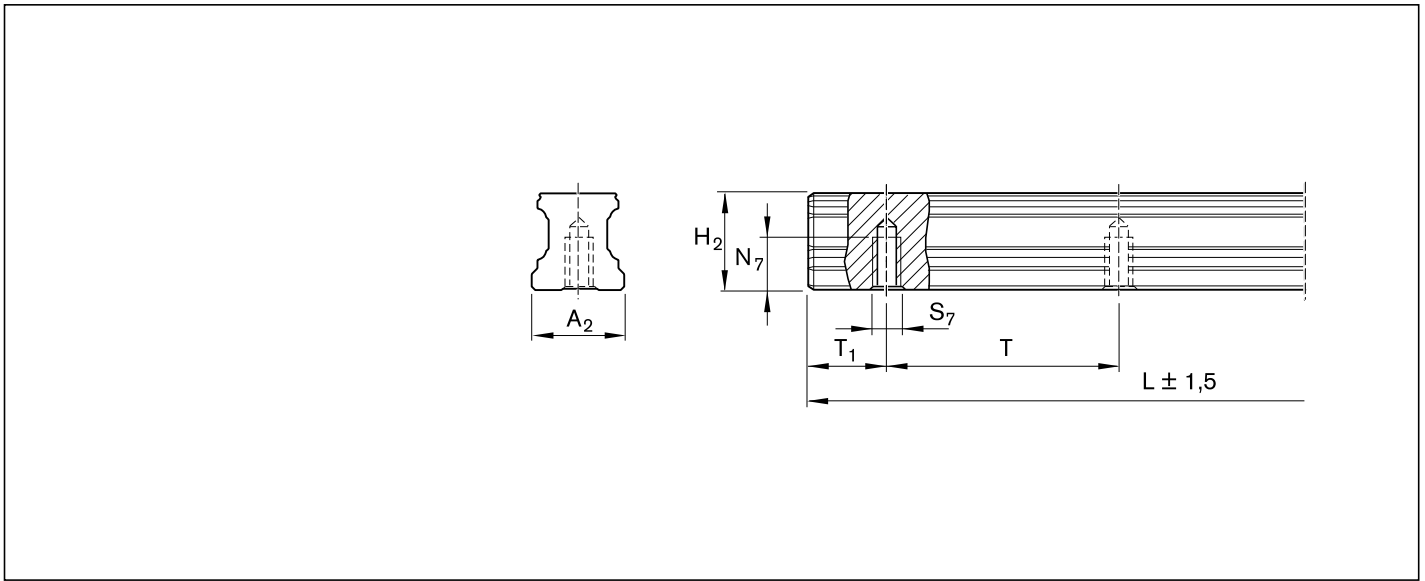
Ordering example 2 (above L_{max})

Options:

- ▶ Ball guide rail SNS
- ▶ Size 30
- ▶ Accuracy class H
- ▶ **2 sections**
- ▶ Rail length
L = 5116 mm

Part number:

R1607 703 32, 5116 mm



Size	Dimensions (mm)									Weight m (kg/m)
	A_2	$H_2^{1)}$	$L_{max}^{2)}$	N_7	S_7	T	T_{1min}	$T_{1S}^{3)}$	T_{1max}	
15	15	16.20	3 836	7.5	M5	60	10	28.0	50	1.4
20	20	20.55	3 836	9.0	M6	60	10	28.0	50	2.4
25	23	24.25	3 836	12.0	M6	60	10	28.0	50	3.2
30	28	28.35	3 836	15.0	M8	80	12	38.0	68	5.0
35	34	31.85	3 836	15.0	M8	80	12	38.0	68	6.8
45	45	39.85	3 776	19.0	M12	105	16	50.5	89	10.5
55	53	47.85	3 836	22.0	M14	120	18	58.0	102	16.2
65	63	59.85	3 746	25.0	M16	150	20	73.0	130	22.4

- 1) Dimension H_2 without cover strip
- 2) One-piece ball guide rails are available for size 20 – 45 in accuracy classes N, H and P with size 20 – 25 up to 5816 mm being available on request.
Size 30 – 35 up to 5836 mm available on request.
Size 45 up to 5771 mm available on request.
- 3) Preferred dimension T_{1S} with tolerances ± 0.75 is recommended.