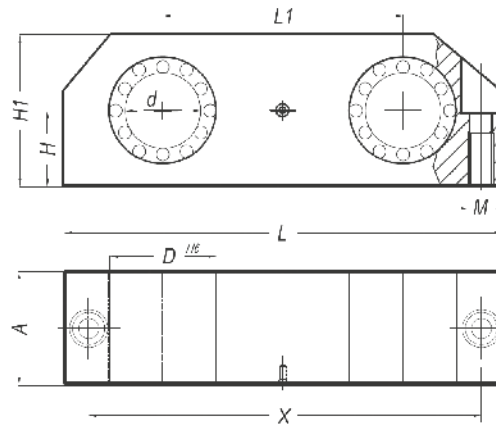


SMCC SERIES



Type	Shaft Ø	A	H	H1	L	L1	M	Weight
	(mm)							(g)
SMCC12	12	28	15	30	80	40	M5	188
SMCC16	16	30	17,5	35	96	52	M5	256
SMCC20	20	30	20	40	115	63	M6	316
SMCC25	25	40	25	50	136	75	M8	632
SMCC30	30	50	28	56	146	80	M8	890
SMCC40	40	60	35	70	184	97	M10	1660
SMCC50	50	70	40	80	210	107	M12	2250